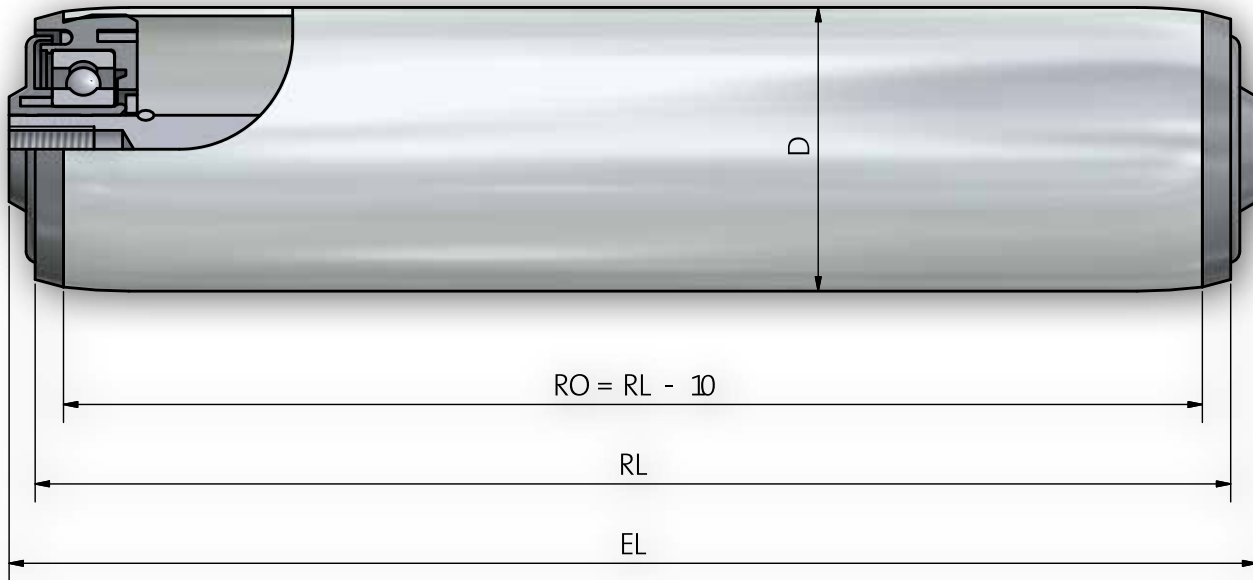


Roller 302



Shaft dimensions

Order Specification		A...M...	A...AGM...	A...IGM...	A...glatt	A...SW...	A...FA...
Shaft- ϕ	EL=						
8	RL+	23	10	10	10	10	10
10	RL+	22	10	10	10	10	10
S 11	RL+				10		10
12	RL+	24	10	10	10	10	10
14	RL+	26	10	10	10	10	10
15	RL+	26	10	10	10	10	

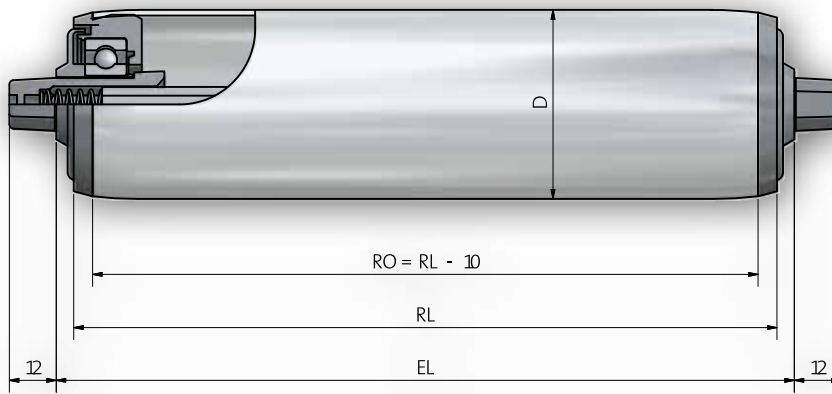
Tube- and Shaft Combination

Tube dia.	A8	A10	S11	A12	A14	A15
40 x 1,5			x	x		
50 x 1,5	x	x	x	x	x	x
60 x 2	x	x	x	x	x	x

Roller 302

Bearing Type	Thermoplastic synthetic material - Bearing Site
Type of Bearing	Ball Bearings (Series 6202) DIN 625 available in 2RS, ZZ Standard Series 6202ZZ - plastic distance bushings to get the shaft diameters
Load Capacity/Roller	1.600N (depending upon the load limit of tube and shaft)
Max. Speed	2 m/s
Range of Temperature Celcius	-5 to +50 C
Optional	
Note	For use as driven roller. Antistatic Version.

Roller 302-50x1,5 STI ASK 8 SK 11x12 FA



Note

Roller equipped with conical hexagonal adapters on both ends which can be pressed in Load Capacity 400N

For 302-40x1,5 STI ASK 8 SK 11x12 FA the excess length of the spring loaded hexagonal shaft is 14 mm on both sides

Order Example 302-50x1,5 STI ASK 8 SK 11x12 FA

Type	302 ZZ - 50x1,5 STI ASK 8 SK 11x12 FA EL=500mm
Bearing Type
Ball bearing sealing
Tube-Ø and wall thickness
Tube quality
Shaft-Ø
Shaft Ends
Installation length

Order Example 302

Type	302 ZZ - 50x1,5 STI ASK 11 FA EL=500mm
Bearing Type
Ball bearing sealing
Tube-Ø and wall thickness
Tube quality
Shaft-Ø
Shaft Ends
Installation length