

Rollex-Multi-Drive Card (RMD-Card) for Type 840-50

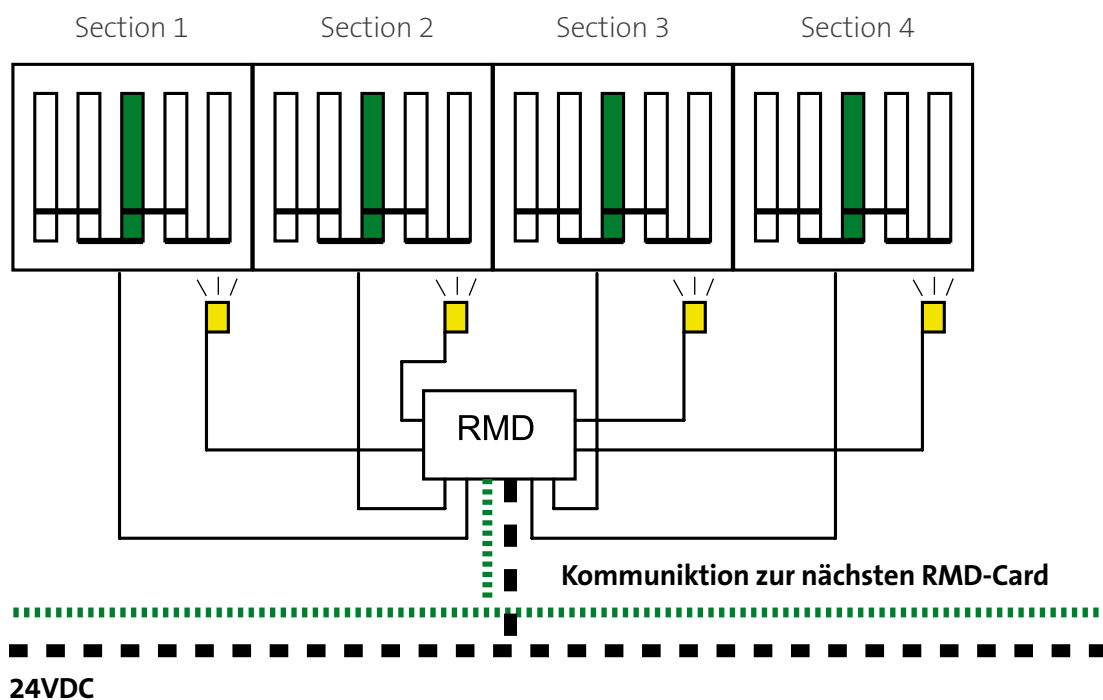
The **Rollex-Multi-Drive-Card (RMD-Card)** simplifies the use of Zero Pressure Conveying Systems. With zero pressure systems the goods are transported contactless - the goods do not touch each other on the track.

By easily combining single components with the Card (construction kits) complex systems can be installed very simple and with low costs.

With the RMD-Card large systems can be made, i. e. multiple cards can be installed in a row.

The Card has an integrated logic which enables communication with other sections and thus regulation of the material flow. The drive is only active if the transportation good passes the light barrier. After leaving, the drive automatically stops.

The RMD-Card contains all intelligent functions, which are necessary for contactless conveying.



- possible connection of up to 4 pcs. 24VDC Rollex Motor Roller Type 840
- possible connection of up to 4 pcs. Light Barriers
- adjustment of speed and direction
- Interface Module for standardised BUS-Systems

Function

The **Rollex-Multi-Drive-Card (RMD-Card)** controls up to 4 motors and transports the goods contactless within 4 sections. The control systems allows to regulate between 1 and 4 motors.

The **RMD-Card** is build up modular and can be enlarged user-defined, i. e. means several **RMD-Cards** can be connected and they communicate together. So a cost-effective construction for contactless conveying of goods is possible.

The detection of the single goods is done by photoelectrical sensors. A change of the switching output is not necessary as standardised PNP and NPN exits can be used. The transport direction can be controlled by a joint signal. The direction of logic changes than automatically. But the direction can even be adjusted in advance by a rotary switch.

After initialisation the motor starts for 3 sec. to move goods, which are placed in areas between the light barriers, into their sections. So the **RMD-Card** can “see” if a section is full or not, when the track is started. If goods are placed within the next section, the roller of this section does not start.

If a transport good is placed to any section of the track, the section starts conveying (no normal start).

The motor function has a run time monitoring system (block protection). The switch off time is around 10 sec. If a motor is switched off by the run time monitoring system, it is blocked until clearance of the according light barrier. The error message generated by the motor (current limiting, lower voltage) will be provided as collective report potential-free.

As an option a standardised BUS-System (e. g. Profibus) can be used.

The **RMD-Card** uses a micro controller, that is decisive for the logical work. Simultaneously the micro controller provides all information to a BUS-system via. the RS-485-interface. Advantage of the RS-485-interface is the high speed data transfer even when high cable length is used.

The information will be stored with an external processor (interface adaptor) and can be imported and exported. The information can be read via an RJ45-interface. So different BUS protocols can be realised via a protocol-converter (from various manufacturers). As a master e. g. an SPS controller can be used.

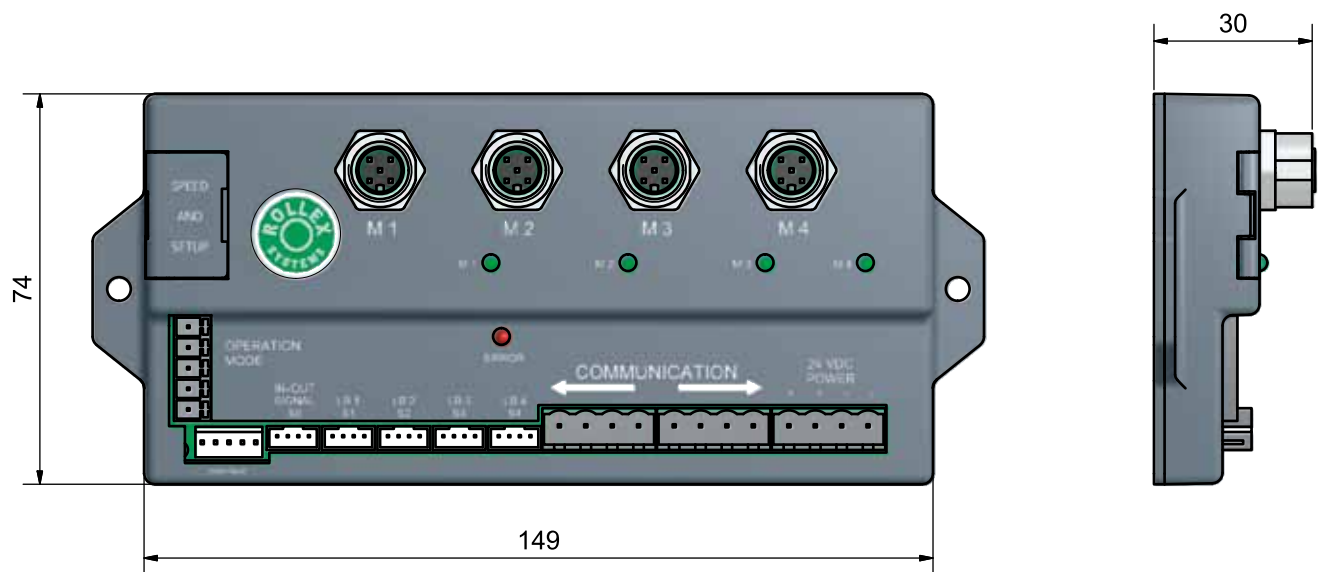
All motors and sensors can be visualised.

Technical Data

Rollex-Multi-Drive-Card

Box Sizes:

Width	=	149 mm (without fastening)
Height	=	74 mm
Depth	=	30 mm (with connection)
		67 mm (with right-angle plug M12)



Power supply:	24 VDC	Motorrolle 840-50:	
Voltage range:	20 - 28V	Power supply:	24VDC
Current with 2 motors:	5 A	Power range:	18–28 VDC
Current with 3 motors:	7,5 A	Nominal rating:	40W
Current with 4 motors:	10A	Nominal current:	2,5A
Protection class:	IP 20	Nominal current (neutral gear):	0,3 A
Temperature:	-5 to +40 deg Celsius	Starting current (neutral gear):	0,5 A
Recommended cable cross section:	1,5 mm ²	Nominal Revolution:	2400 RPM

The **Rollex-Multi-Drive-Card (RMD-Card)** can only be used with Rollex Motor Roller Type 840-50.

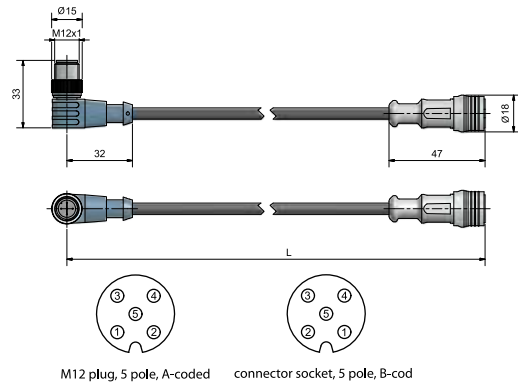
Optional Accessories

Extension cable RMD-Card to motor 800mm

M12 Push-Pull-Plug 5-terminal – M12 right-angle plug.

Extension cable RMD-Card to Motor 1.600mm

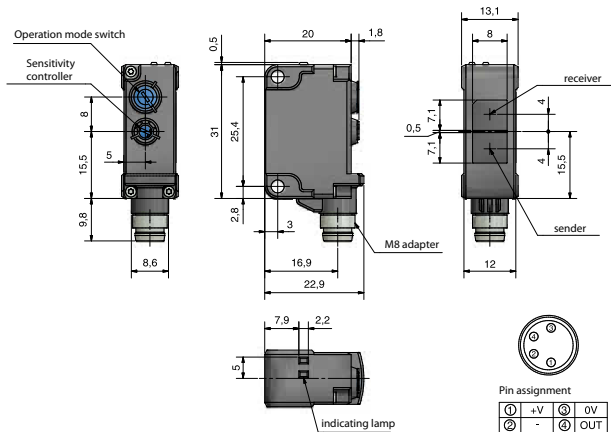
M12 Push-Pull-Plug 5-terminal – M12 right-angle plug.



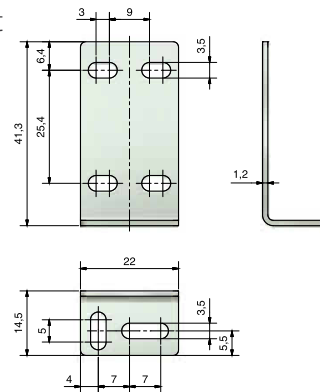
Light Barrier

Photoelectric sensor with M8 plug 4-terminal, adjusting by help of red LED.

Polarizing reflection optic(no problems with metallic goods).



Mounting part

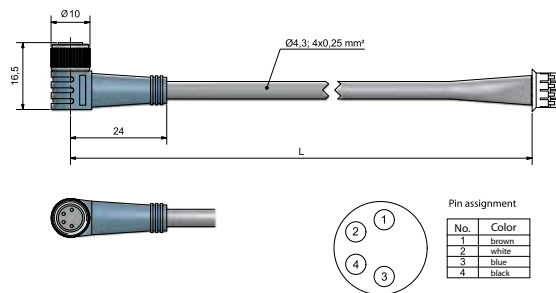


Extension cable RMD-Card to Light Barrier 2000mm

Jack M8 5-terminal right-angle plug – JST jack

Extension cable RMD-Card to Light Barrier 1000mm

Jack M8 5-terminal right-angle plug – JST jack



Communication Cable(free length)

4-terminal plug on both sides

