



XP254 CR

Corrugated Belt Series

• Corrugated Cardbord Applications

Down Stackers, Corrugator Take Off, Strap Feed



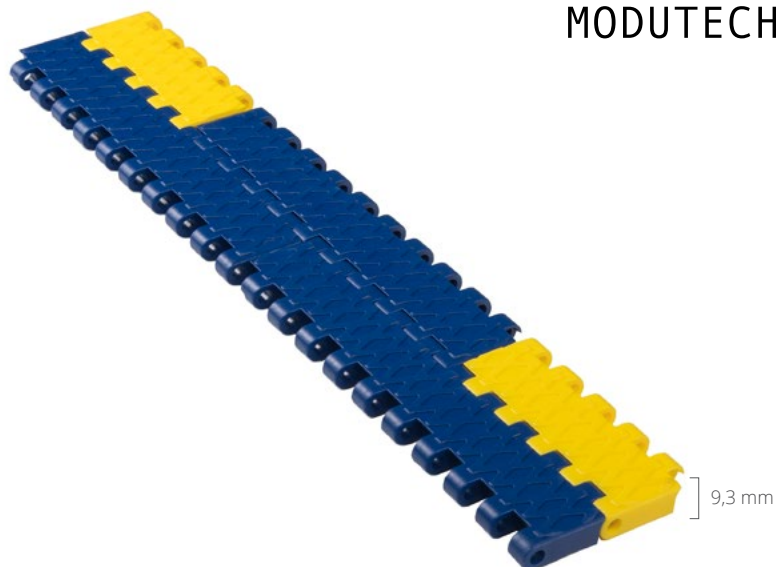
Safety first because
Modutech cares about you!
Non-Skid surface offers safety
through walking for corrugated
industry .



MODUTECH

XP254 CR

| | |
|-----------------|---|
| Pitch: | 25,4 mm / 1 inch |
| Belt Surface: | Close, Non Slip Surface |
| Minimum Width: | 76,2 mm / 3 inch |
| Open Area (%): | 0% |
| Flight: | No |
| Sidewall: | No |
| Rod: | Ø4,5 mm / 0.177 inch - Self Lock |
| Approved: | No |
| Curve: | No |
| Color: | Additional colors available |
| Cleanability: | Good |
| Belt Thickness: | 9,3 mm / 0.366 inch |



Product Features and Functional Benefits

- Chamfered belt edges.
- Reinforced bottom surface - higher product load and longer conveyors.
- Unique sprocket engagement reduces pulsation and increases load capacity.
- Close transfer applications.
- Extra power, bi-directional belt for long conveyors.
- Safety walking top surface.

Available Moulded Module Sizes

- 152,4 mm / **6 inch** module
- 76,2 mm / **3 inch** module

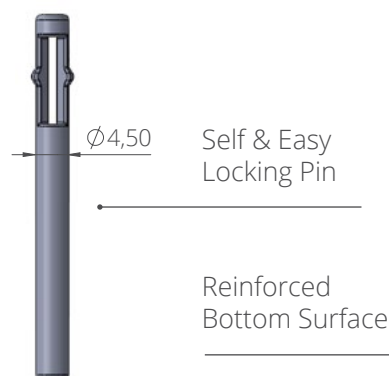
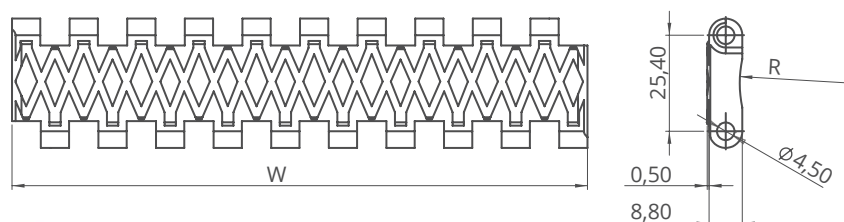
XP254 CR / Technical Information

| BELT / PIN MATERIAL | BELT STRENGTH | | | | TEMPERATURE | | BELT WEIGHT |
|---------------------|---------------|-------------|-------|-------|--------------------|--------------------|--|
| | Straight | | Curve | | °C / °F (min.) | °C / °F (max.) | Kg/m ² / lb/ft ² |
| | N/m | lb/ft | N/m | lb/ft | | | |
| Acetal / PA6 | 40250 | 2758 | - | - | -43 / -45.4 | +110 / +230 | 8,1 / 1.67 |

- Belt strength and temperature values are maximum on the table.

XP254 CR / Standard Belt Widths

| BELT SERIES | WIDTH (W) | | | | Belt With Tolerance (max.) |
|-------------|-----------|------|--------|-------------|----------------------------|
| | PP-PE | | POM | | |
| | mm | inch | mm | inch | |
| XP254 CR | - | - | 76,2 | 3.0 | ± 0,5 mm |
| XP254 CR | - | - | 152,4 | 6.0 | ± 0,5 mm |
| XP254 CR | - | - | 228,6 | 9.0 | ± 2 mm |
| XP254 CR | - | - | 304,8 | 12.0 | ± 2 mm |
| XP254 CR | - | - | 381,0 | 15.0 | ± 3 mm |
| XP254 CR | - | - | 457,2 | 18.0 | ± 3 mm |
| XP254 CR | - | - | 533,4 | 21.0 | ± 3 mm |
| XP254 CR | - | - | 609,6 | 24.0 | ± 3 mm |
| XP254 CR | - | - | 685,8 | 27.0 | ± 4 mm |
| XP254 CR | - | - | 762,0 | 30.0 | ± 4 mm |
| XP254 CR | - | - | 838,2 | 33.0 | ± 4 mm |
| XP254 CR | - | - | 914,4 | 36.0 | ± 4 mm |
| XP254 CR | - | - | 990,6 | 39.0 | ± 4 mm |
| XP254 CR | - | - | 1066,8 | 42.0 | ± 4 mm |
| XP254 CR | - | - | 1143,0 | 45.0 | ± 4 mm |



- Standard belt increments 76,2 mm.
- Please contact with customer service for precise belt measurements.

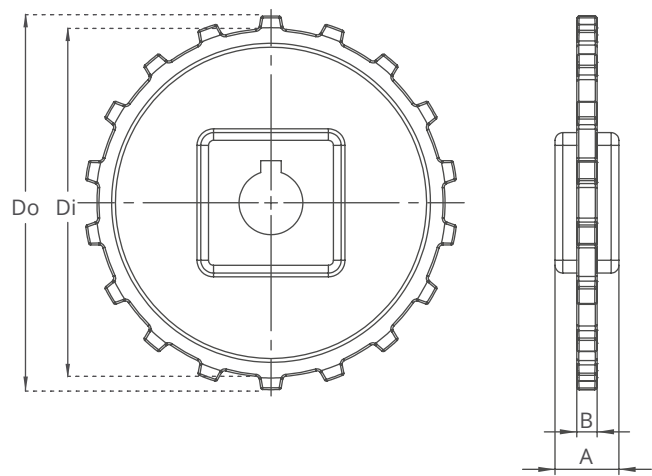
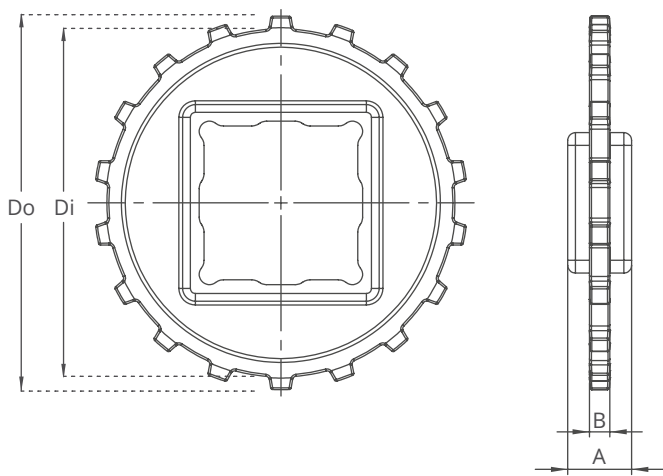
XP254 Series Sprockets and Technical Specifications



Z18



Z18



- Split moulded sprockets are available for XP254 Z15 & Z18!

XP254 Series / Standard Sprockets Dimensions

| NO. TEETH | Di mm/inch | Do mm/inch | B mm/inch | A mm/inch | Square Bore (Q) mm/inch | Round Bore (R) mm/inch | PRODUCT CODE | |
|-----------|---------------------|---------------------|-----------------|---------------|----------------------------|---------------------------|-----------------|----------------|
| | | | | | | | Square Type (Q) | Round Type (R) |
| Z8 | 53,2 / 2.09 | 64,0 / 2.52 | 8 / 0.31 | 25 / 1 | 25 / 1 | 25-30 / 1-1.25 | XP254SQZ8*PA | XP254SRZ8*PA |
| Z10 | 71,6 / 2.82 | 82,5 / 3.25 | 8 / 0.31 | 25 / 1 | 40 / 1.5 | 25-30 / 1-1.25 | XP254SQZ10*PA | XP254SRZ10*PA |
| Z12 | 89,0 / 3.50 | 99,5 / 3.92 | 8 / 0.31 | 25 / 1 | 40 / 1.5 | 25-30 / 1-1.25 | XP254SQZ12*PA | XP254SRZ12*PA |
| Z15 | 114,0 / 4.49 | 124,0 / 4.88 | 8 / 0.31 | 25 / 1 | 40-60 / 1.5-2.5 | 25-30 / 1-1.25 | XP254SQZ15*PA | XP254SRZ15*PA |
| Z18 | 136,4 / 5.37 | 146,4 / 5.76 | 8 / 0.31 | 25 / 1 | 40-60 / 1.5-2.5 | 25-30 / 1-1.25 | XP254SQZ18*PA | XP254SRZ18*PA |

*Other sprockets and hub sizes are manufactured up to request. *POM (Acetal) and PP (Polypropylene) sprockets raw material is available on request.

***Machined Split Sprockets are available for each size.**



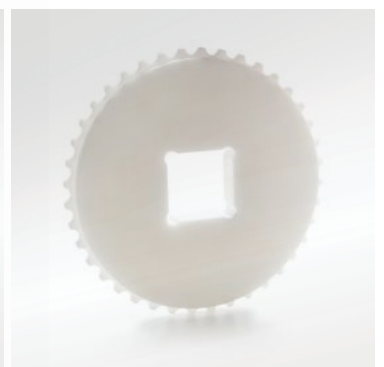
Clamp



Machined Split Sprocket

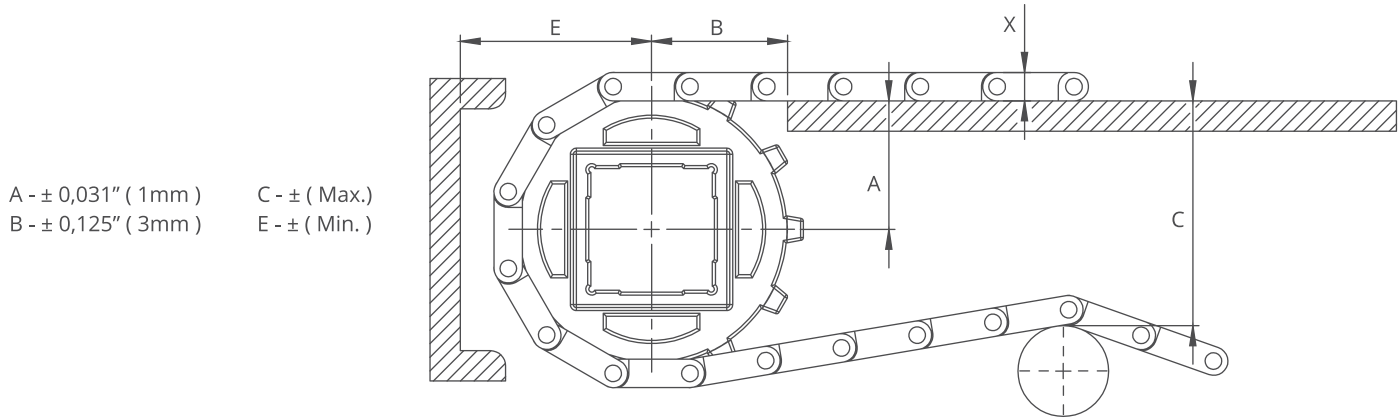


Moulded Sprocket



Machined Sprocket

XP254 Series *Engineering Information*

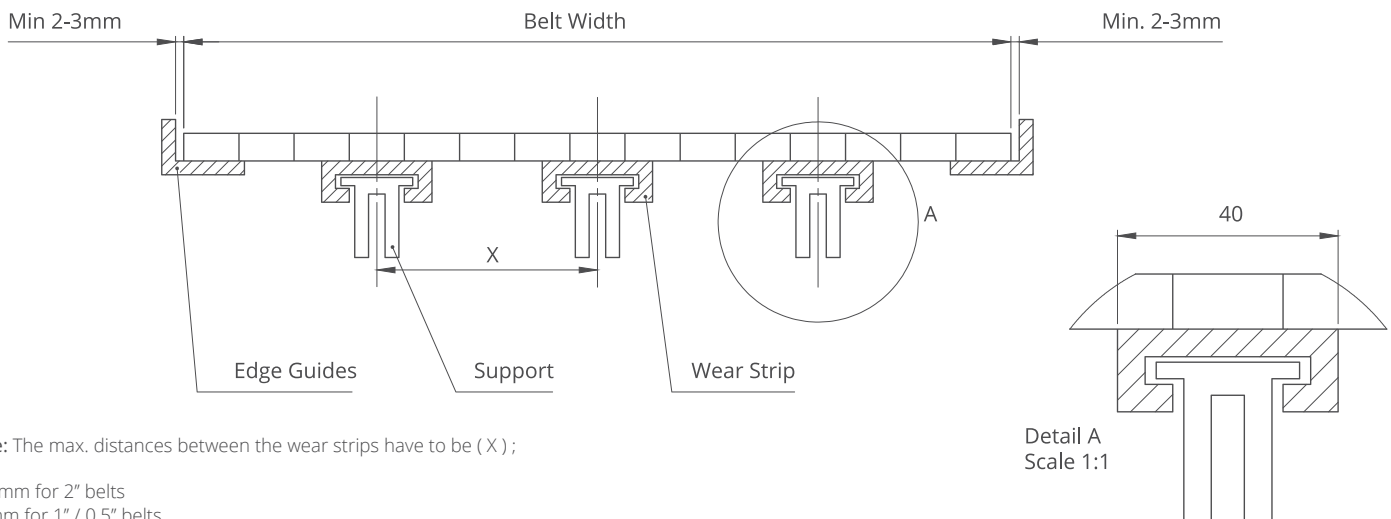


A - $\pm 0,031''$ (1mm) C - \pm (Max.)
 B - $\pm 0,125''$ (3mm) E - \pm (Min.)

XP254 Series / Conveyor Frame Dimensions

| Sprockets Description | | | A | | B | | C | | E | | X | |
|---|-------|----------|-----------------------|------|-------------|------|-------------|-------|-------------|------|-------------|-----|
| Pitch Diameter | | No.Teeth | Range (Bottom to Top) | | inch | mm | inch | mm | inch | mm | inch | mm |
| inch | mm | | inch | mm | | | | | | | | |
| XP254 FLT CR, XP254 C, XP254 FG, XP254 PR%22 | | | | | | | | | | | | |
| 2.32 | 59,0 | 8 | 1.17 | 29,8 | 1.44 | 36,5 | 1.94 | 49,3 | 1.91 | 48,6 | 0.35 | 8,8 |
| 2.99 | 76,0 | 10 | 1.47 | 37,0 | 1.69 | 42,9 | 2.57 | 65,4 | 2.21 | 56,2 | 0.35 | 8,8 |
| 3.59 | 91,2 | 12 | 1.79 | 45,5 | 1.86 | 47,3 | 3.19 | 81,1 | 2.53 | 64,3 | 0.35 | 8,8 |
| 4.65 | 118,0 | 15 | 2.22 | 56,3 | 2.13 | 54,1 | 4.15 | 105,3 | 2.96 | 75,1 | 0.35 | 8,8 |
| 5.67 | 144,0 | 18 | 2.71 | 69,0 | 2.31 | 58,7 | 5.16 | 131,0 | 3.45 | 87,8 | 0.35 | 8,8 |
| XP254 CR | | | | | | | | | | | | |
| 2.32 | 59,0 | 8 | 1.17 | 29,8 | 1.44 | 36,5 | 1.94 | 49,3 | 1.91 | 48,6 | 0.37 | 9,3 |
| 2.99 | 76,0 | 10 | 1.47 | 37,0 | 1.69 | 42,9 | 2.57 | 65,4 | 2.21 | 56,2 | 0.37 | 9,3 |
| 3.59 | 91,2 | 12 | 1.79 | 45,5 | 1.86 | 47,3 | 3.19 | 81,1 | 2.53 | 64,3 | 0.37 | 9,3 |
| 4.65 | 118,0 | 15 | 2.22 | 56,3 | 2.13 | 54,1 | 4.15 | 105,3 | 2.96 | 75,1 | 0.37 | 9,3 |
| 5.67 | 144,0 | 18 | 2.71 | 69,0 | 2.31 | 58,7 | 5.16 | 131,0 | 3.45 | 87,8 | 0.37 | 9,3 |

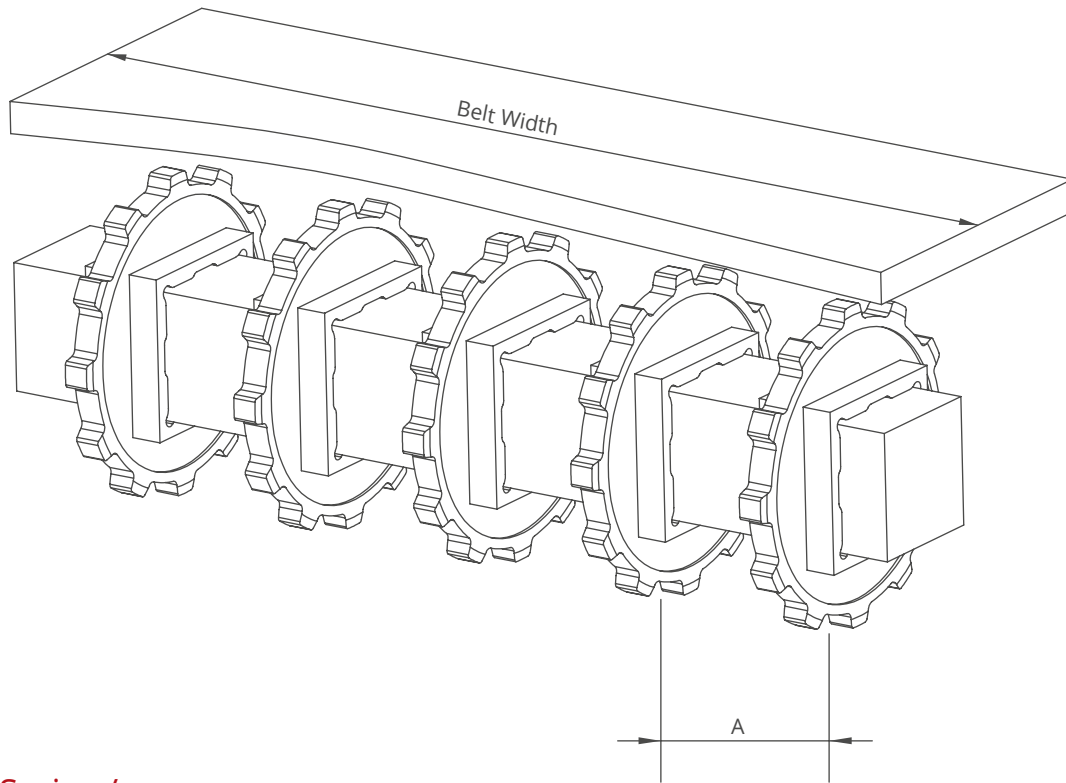
XP254 Series / Slider Support System For Straight Running Belts



Note: The max. distances between the wear strips have to be (X) ;

125 mm for 2" belts
 80 mm for 1" / 0.5" belts

Detail A
 Scale 1:1



XP254 Series / Sprockets Arrangement

| Standard Belt Width | | Number of sprockets per shaft | | A (mm/inch) | |
|---------------------|------|-------------------------------|--------------|-------------|---------|
| mm | inch | Drive Shaft | Return Shaft | Min. | Max. |
| 152,4 | 6.0 | 2 | 2 | 60/2.36 | 170/6.6 |
| 228,6 | 9.0 | 2 | 2 | 60/2.36 | 170/6.6 |
| 304,8 | 12.0 | 3 | 2 | 60/2.36 | 170/6.6 |
| 381,0 | 15.0 | 4 | 3 | 60/2.36 | 170/6.6 |
| 457,2 | 18.0 | 5 | 3 | 60/2.36 | 170/6.6 |
| 533,4 | 21.0 | 5 | 3 | 60/2.36 | 170/6.6 |
| 609,6 | 24.0 | 6 | 3 | 60/2.36 | 170/6.6 |
| 685,8 | 27.0 | 6 | 4 | 60/2.36 | 170/6.6 |
| 762,0 | 30.0 | 7 | 4 | 60/2.36 | 170/6.6 |
| 838,2 | 33.0 | 7 | 4 | 60/2.36 | 170/6.6 |
| 914,4 | 36.0 | 8 | 4 | 60/2.36 | 170/6.6 |
| 990,6 | 39.0 | 8 | 5 | 60/2.36 | 170/6.6 |
| 1066,8 | 42.0 | 9 | 5 | 60/2.36 | 170/6.6 |
| 1143,0 | 45.0 | 9 | 5 | 60/2.36 | 170/6.6 |
| 1219,2 | 48.0 | 10 | 5 | 60/2.36 | 170/6.6 |
| 1295,4 | 51.0 | 10 | 6 | 60/2.36 | 170/6.6 |
| 1371,6 | 54.0 | 11 | 7 | 60/2.36 | 170/6.6 |
| 1447,8 | 57.0 | 11 | 7 | 60/2.36 | 170/6.6 |
| 1524,0 | 60.0 | 12 | 7 | 60/2.36 | 170/6.6 |
| 1600,2 | 63.0 | 12 | 8 | 60/2.36 | 170/6.6 |
| 1676,4 | 66.0 | 12 | 8 | 60/2.36 | 170/6.6 |
| 1752,6 | 69.0 | 13 | 8 | 60/2.36 | 170/6.6 |
| 1828,8 | 72.0 | 14 | 9 | 60/2.36 | 170/6.6 |
| 1905,0 | 75.0 | 14 | 9 | 60/2.36 | 170/6.6 |
| 1981,2 | 78.0 | 15 | 10 | 60/2.36 | 170/6.6 |
| 2057,4 | 81.0 | 15 | 10 | 60/2.36 | 170/6.6 |

Note: Number of sprockets depends on the belt load.