



MD508 C

Modular Belt Series

• **Corrugated Cardbord Applications**
Down Stackers, Corrugator Take Off, Strap Feed

• **Lumber Industry**
Lumber Transport, Cutting Process

• **Snack Food Applications**
Potato Processing

• **Fruits and Vegetables Applications**
Bulk Feeding, Elevator, Control Sorting Table, Filling

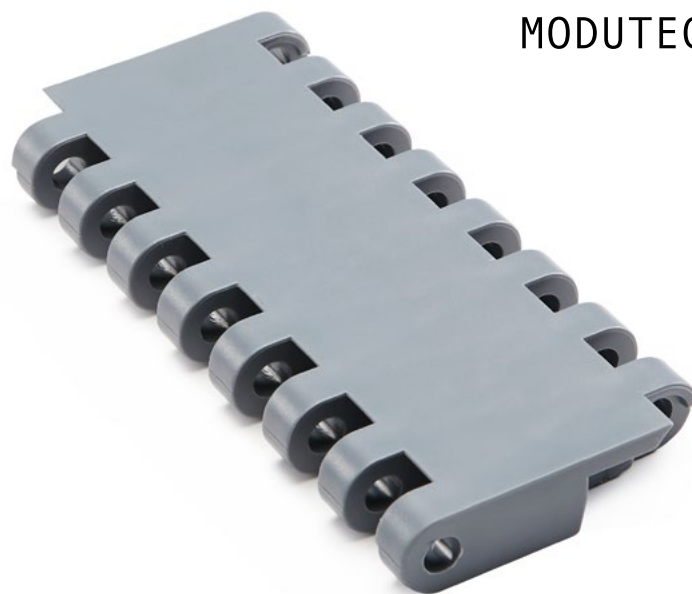
• **Automotive Applications**
Chair Lift - Feeder

• **Packaging Applications**
Bluk Inclines, Box Transport Horizontal



MODUTECH

MD508 C (Heavy Duty Food Belts)



| | |
|-----------------|---------------------------------------|
| Pitch: | 50,8 mm / 2 inch |
| Belt Surface: | Close, Smooth Surface |
| Minimum Width: | 150 mm / 5.90 inch |
| Open Area (%): | 0% |
| Flight: | Yes (T50, T100, T150) |
| Sidewall: | No |
| Rod: | Ø7 mm / 0.275 inch - Self Lock |
| Approved: | FDA and EU |
| Curve: | No |
| Color: | Additional colors available |
| Cleanability: | Good |
| Belt Thickness: | 16 mm / 0.629 inch |

Product Features and Functional Benefits

- Unique sprocket engagement reduces pulsation and increases load capacity.
- High power, bi-directional belt for long conveyors.
- Unique sprocket engagement - higher product load and longer conveyors.
- Strong and thick product supports allow more load without breaking.
- Impact resistance to with stand heavy objects falling into the belt.

Available Moulded Module Sizes

- 150 mm / **5.90 inch** module

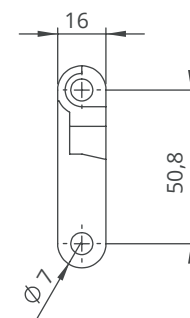
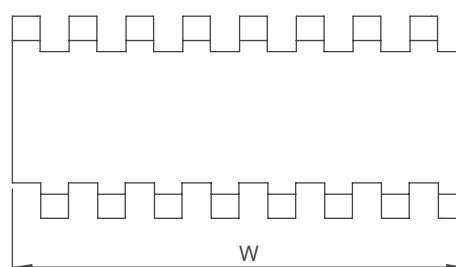
MD508 C / Technical Information

| BELT MATERIAL | BELT STRENGTH | | | | TEMPERATURE | | BELT WEIGHT |
|---------------|---------------|-------------|-------|-------|--------------------|---------------------|--|
| | Straight | | Curve | | °C / °F (min.) | °C / °F (max.) | Kg/m ² / lb/ft ² |
| | N/m | lb/ft | N/m | lb/ft | | | |
| Polypropylene | 37400 | 2562 | - | - | +5 / +41 | +90 / +194 | 8,7 / 1.78 |
| Polyethylene | 26400 | 1808 | - | - | -73 / -99.4 | +66 / +150.8 | 9,3 / 1.90 |
| Acetal | 66000 | 4522 | - | - | -43 / -45.4 | +110 / +230 | 13,5 / 2.77 |

- Belt strength and temperature values are maximum on the table.

MD508 C / Standard Belt Widths

| BELT SERIES | WIDTH (W) | | | | Belt With Tolerance (max.) |
|-------------|-----------|--------------|--------|--------------|----------------------------|
| | PP-PE | | POM | | |
| | mm | inch | mm | inch | |
| MD508 C | 150,0 | 5.91 | 150,0 | 5.91 | ± 0,5 mm |
| MD508 C | 225,0 | 8.86 | 225,0 | 8.86 | ± 2 mm |
| MD508 C | 300,0 | 11.81 | 300,0 | 11.81 | ± 2 mm |
| MD508 C | 375,0 | 14.76 | 375,0 | 14.76 | ± 2 mm |
| MD508 C | 450,0 | 17.72 | 450,0 | 17.72 | ± 3 mm |
| MD508 C | 525,0 | 20.67 | 525,0 | 20.67 | ± 3 mm |
| MD508 C | 600,0 | 23.62 | 600,0 | 23.62 | ± 3 mm |
| MD508 C | 675,0 | 26.57 | 675,0 | 26.57 | ± 3 mm |
| MD508 C | 750,0 | 29.53 | 750,0 | 29.53 | ± 4 mm |
| MD508 C | 825,0 | 32.48 | 825,0 | 32.48 | ± 4 mm |
| MD508 C | 900,0 | 35.43 | 900,0 | 35.43 | ± 4 mm |
| MD508 C | 975,0 | 38.38 | 975,0 | 38.38 | ± 5 mm |
| MD508 C | 1050,0 | 41.34 | 1050,0 | 41.34 | ± 5 mm |
| MD508 C | 1125,0 | 44.29 | 1125,0 | 44.29 | ± 5 mm |



- Standard belt increments 75 mm.
- Non-standard belt increments 18,75 mm.
- Please contact with customer service for precise belt measurements.

MD508 Series Sprockets and Technical Specifications



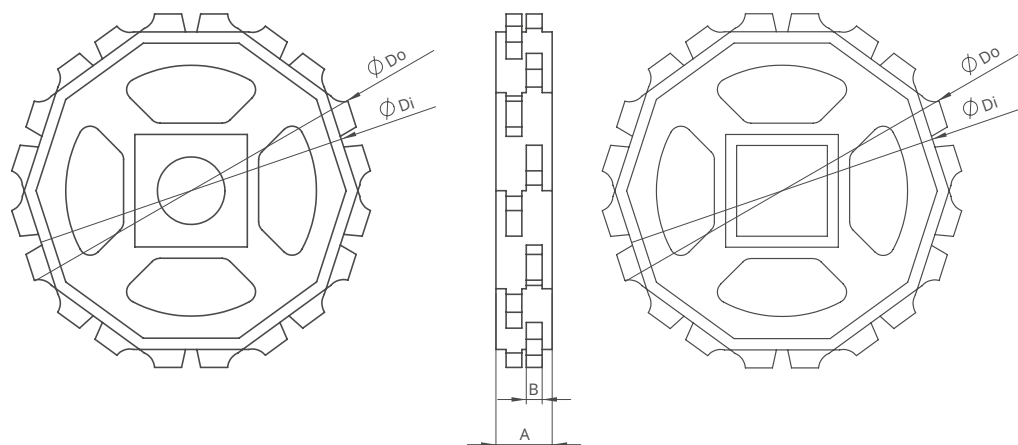
Z8



Z10



Z12



MD508 Series / Standard Sprockets Dimensions

| NO. TEETH | Di mm/inch | Do mm/inch | B mm/inch | A mm/inch | Square Bore (Q) mm/inch | Round Bore (R) mm/inch | PRODUCT CODE | |
|-----------|----------------------|----------------------|-----------------|------------------|-------------------------------|------------------------------|-----------------|----------------|
| | | | | | | | Square Type (Q) | Round Type (R) |
| Z8 | 107,37 / 4.23 | 127,35 / 5.01 | 7 / 0.27 | 40 / 1.57 | 40 / 1.5 | 25-30 / 1-1.25 | MD508SQZ8*POM | MD508SRZ8*POM |
| Z10 | 141,27 / 5.56 | 160,14 / 6.30 | 7 / 0.27 | 40 / 1.57 | 40-60 / 1.5-2.5 | 25-30 / 1-1.25 | MD508SQZ10*POM | MD508SRZ10*POM |
| Z12 | 174,71 / 6.87 | 193,24 / 7.61 | 7 / 0.27 | 40 / 1.57 | 40-60 / 1.5-2.5 | 25-30 / 1-1.25 | MD508SQZ12*POM | MD508SRZ12*POM |

*Other sprockets and hub sizes are manufactured up to request.

*PA (Polyamide) and PP (Polypropylene) sprockets raw material is available on request.

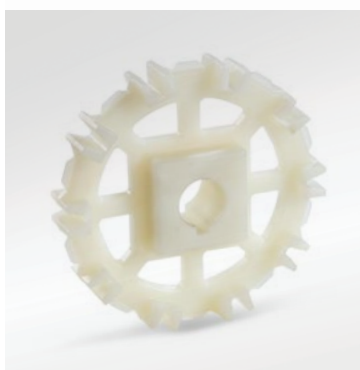
***Machined Split Sprockets are available for each size.**



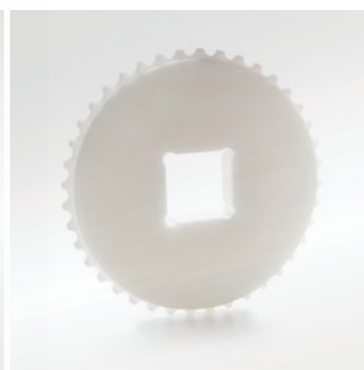
Clamp



Machined Split Sprocket

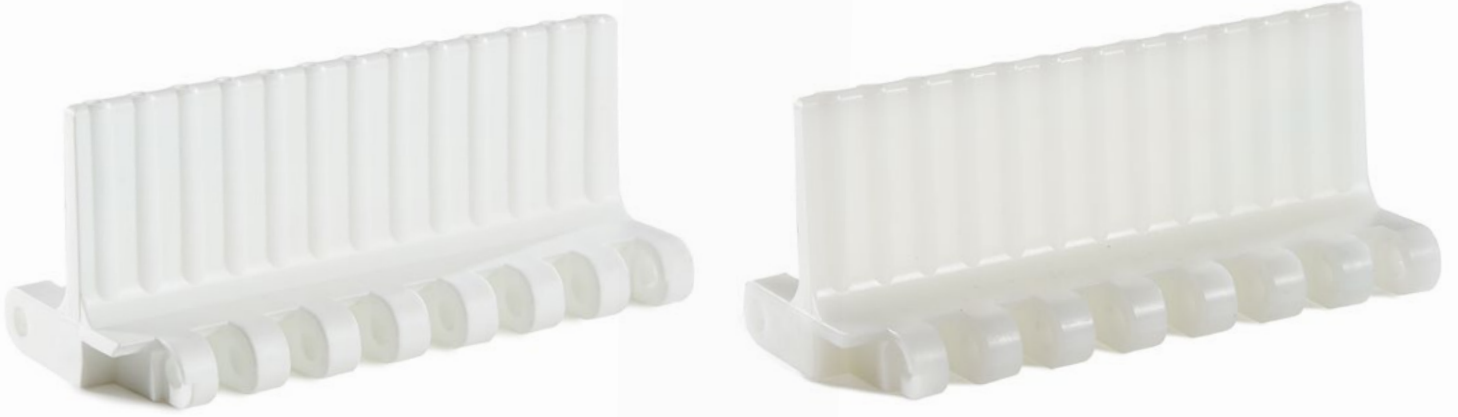


Moulded Sprocket



Machined Sprocket

MD508 Series *Accessories and Technical Specifications*



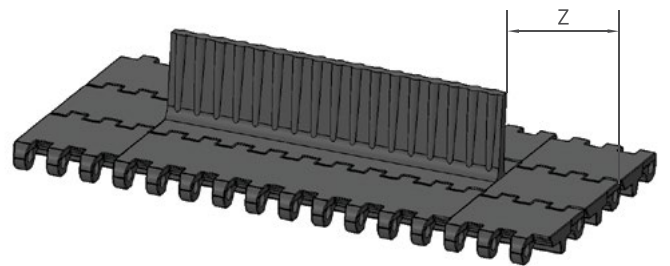
MD508 Series / Flight Dimensions

| MD508 Series / Flights | | | | |
|------------------------|----------------------------------|---------------------------------|--------------|------------------------------------|
| PRODUCT CODE | Flight Height (mm/ inch) | Flight Width (mm/ inch) | PRODUCT CODE | Sidewall Height (mm/ inch) |
| MD508T50 | 50 / 2 | 150 / 5.90 | - | - |
| MD508T100 | 100 / 4 | 150 / 5.90 | - | - |
| MD508T150 | 150 / 6 | 150 / 5.90 | - | - |

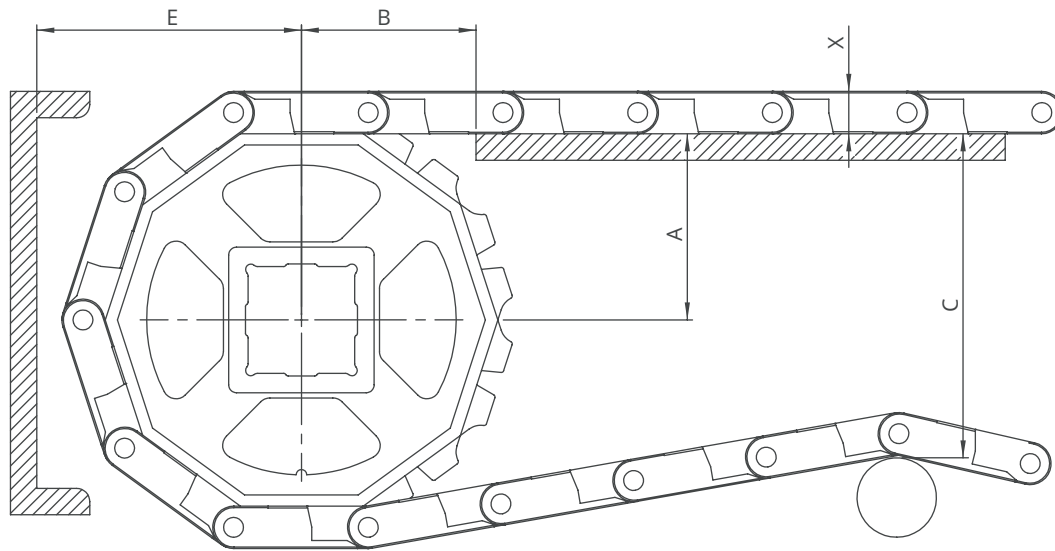
MD508 Series / Flight Technical Specifications

| Possible Flight Indents for MD508 Series | Z | |
|--|-------|-------------|
| | mm | inch |
| Standard, module cutting | 37,5 | 1.48 |
| Standard, module cutting | 56,0 | 2.20 |
| Standard, no module cutting | 75,0 | 2.95 |
| Standard, module cutting | 112,5 | 4.43 |

*Non-standard flight indent is on request.



MD508 Series *Engineering Information*

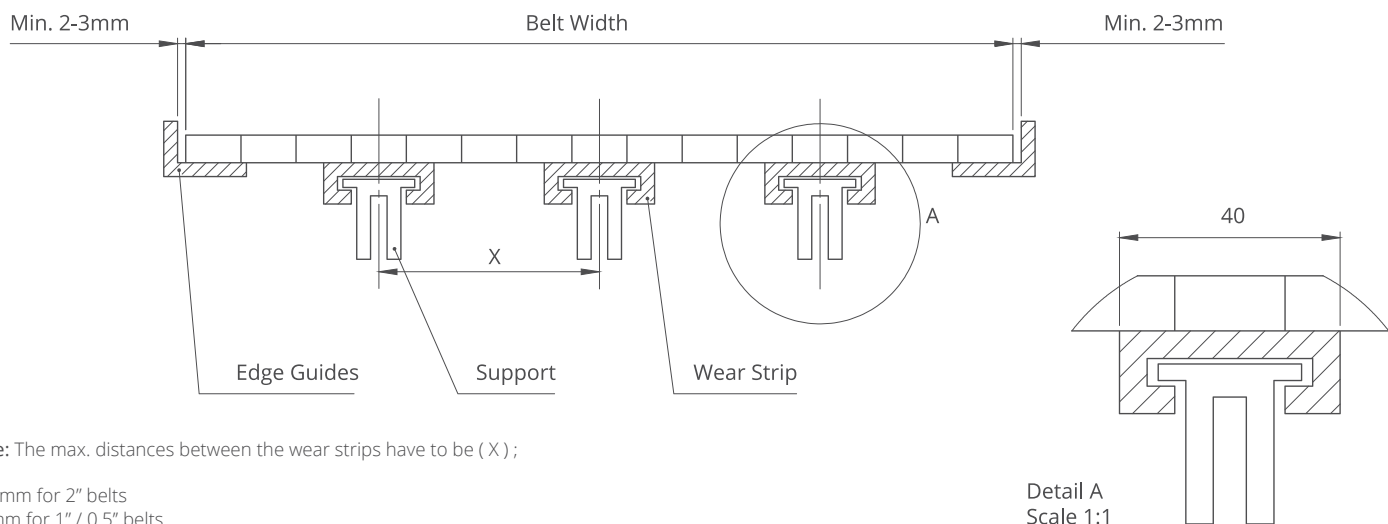


A - ± 0,031" (1mm) C - ± (Max.)
 B - ± 0,125" (3mm) E - ± (Min.)

MD508 Series / Conveyor Frame Dimensions

| Sprockets Description | | A | | B | | C | | E | | X | | |
|---------------------------------------|-------|-----------------------|-------------|------|-------------|-------|-------------|-------|-------------|-------|-------------|------|
| Pitch Diameter | | Range (Bottom to Top) | | inch | mm | inch | mm | inch | mm | inch | mm | |
| inch | mm | inch | mm | | | | | | | | | |
| MD508 C, MD508 PR%25, MD508 FG | | | | | | | | | | | | |
| 4.65 | 118,0 | 8 | 2.29 | 58,1 | 2.94 | 74,8 | 3.79 | 96,2 | 3.11 | 79,1 | 0.63 | 16,0 |
| 5.94 | 151,0 | 10 | 2.92 | 74,3 | 3.57 | 90,7 | 5.06 | 128,5 | 3.75 | 95,3 | 0.63 | 16,0 |
| 7.32 | 186,0 | 12 | 3.56 | 90,5 | 4.20 | 106,7 | 6.33 | 160,9 | 4.39 | 111,4 | 0.63 | 16,0 |

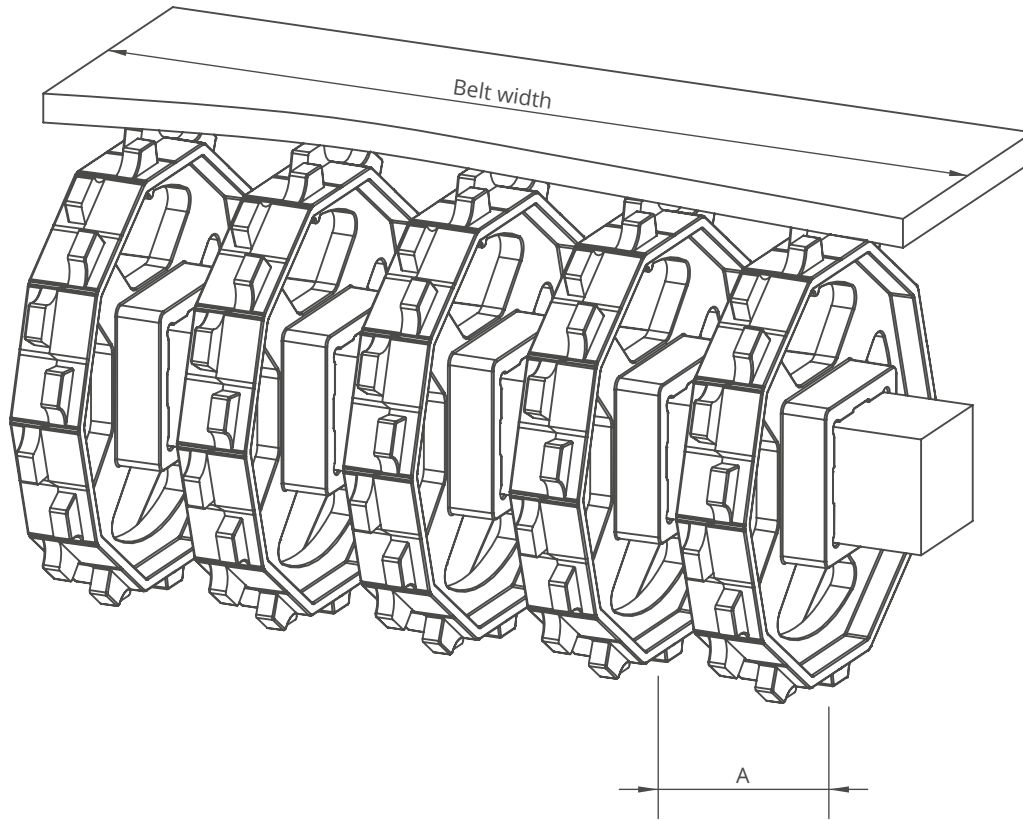
MD508 Series / Slider Support System For Straight Running Belts



Note: The max. distances between the wear strips have to be (X);

125 mm for 2" belts
 80 mm for 1" / 0.5" belts

Detail A
 Scale 1:1



MD508 Series / Sprockets Arrangement

| Standard Belt Width | | Number of sprockets per shaft | | A (mm/inch) | |
|---------------------|--------------|-------------------------------|--------------|-------------|---------|
| mm | inch | Drive Shaft | Return Shaft | Min. | Max. |
| 150,0 | 5.90 | 2 | 2 | 60/2.36 | 150/5.9 |
| 225,0 | 8.86 | 3 | 2 | 60/2.36 | 150/5.9 |
| 300,0 | 11.81 | 3 | 3 | 60/2.36 | 150/5.9 |
| 375,0 | 14.76 | 4 | 3 | 60/2.36 | 150/5.9 |
| 450,0 | 17.72 | 4 | 3 | 60/2.36 | 150/5.9 |
| 525,0 | 20.67 | 5 | 4 | 60/2.36 | 150/5.9 |
| 600,0 | 23.62 | 5 | 4 | 60/2.36 | 150/5.9 |
| 675,0 | 26.57 | 6 | 5 | 60/2.36 | 150/5.9 |
| 750,0 | 29.53 | 6 | 5 | 60/2.36 | 150/5.9 |
| 825,0 | 32.48 | 6 | 5 | 60/2.36 | 150/5.9 |
| 900,0 | 35.43 | 7 | 6 | 60/2.36 | 150/5.9 |
| 975,0 | 38.39 | 8 | 7 | 60/2.36 | 150/5.9 |
| 1050,0 | 41.34 | 9 | 7 | 60/2.36 | 150/5.9 |
| 1125,0 | 44.29 | 10 | 8 | 60/2.36 | 150/5.9 |
| 1200,0 | 47.24 | 11 | 8 | 60/2.36 | 150/5.9 |
| 1275,0 | 50.20 | 12 | 9 | 60/2.36 | 150/5.9 |
| 1350,0 | 53.15 | 13 | 10 | 60/2.36 | 150/5.9 |
| 1425,0 | 56.10 | 14 | 10 | 60/2.36 | 150/5.9 |
| 1500,0 | 59.06 | 15 | 11 | 60/2.36 | 150/5.9 |
| 1575,0 | 62.00 | 16 | 12 | 60/2.36 | 150/5.9 |

Note: Number of sprockets depends on the belt load.