

# MD254 RR

---

## Modular Belt Series

- **Fruits and Vegetables Applications**

*Palletizing / Depalletizing, Sterilization Conveyance*

- **Automotive Applications**

*Battery Filling*

- **Tire Manufacturing Applications**

*Dip Tank*

- **Packaging Applications**

*Accumulation, Palletizing / Depalletizing*

- **Beverages and Bottling Applications**

*Glass Palletizing / Depalletizing, Pasteurizers / Warmers, Accumulation Tables*

- **Pasta Applications**

*Blanched, Pasteurizers, Cooling Lines*

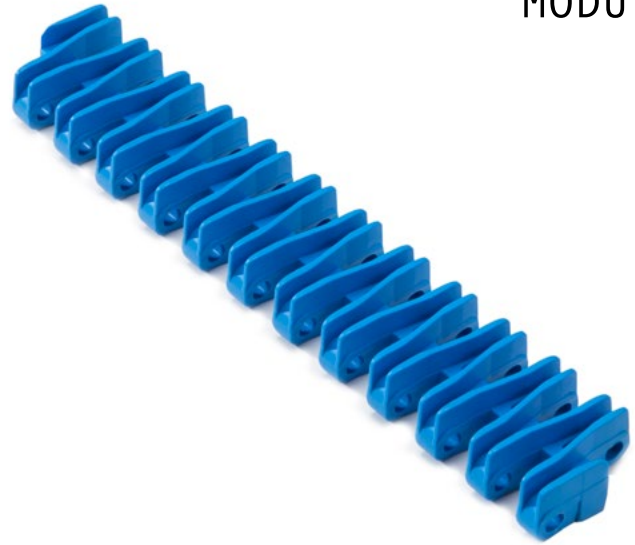
- **Meat Applications**

*Microwaves, Cooling and Freezing Lines*



MODUTECH

# MD254 RR



Pitch:	25,4 mm / <b>1 inch</b>
Belt Surface:	Open, Raised Rib Surface
Minimum Width:	50 mm / <b>1.97 inch</b>
Open Area (%):	33%. ( Biggest opening 5,5 x 7 mm )
Flight:	No
Sidewall:	No
Rod:	Ø 5 mm / <b>0.197 inch</b> - Self Lock
Approved:	FDA and EU
Curve:	No
Color:	Additional colors available
Cleanability:	Good
Belt Thickness:	16 mm / <b>0.630 inch</b>

## Product Features and Functional Benefits

- Less friction and product contact for easy cooking , cooling and freezing of products.
- Reduces back line pressure with up to 70%.
- Reduced dirt and oxide build up due to self cleaning surface.
- Finger plate for trouble free transfer.
- Bi-directional belt for long conveyors.

## Available Moulded Module Sizes

- 200 mm / **7.87 inch** module
- 100 mm / **3.94 inch** module
- 50 mm / **1.97 inch** module
- 33 mm / **1.30 inch** module

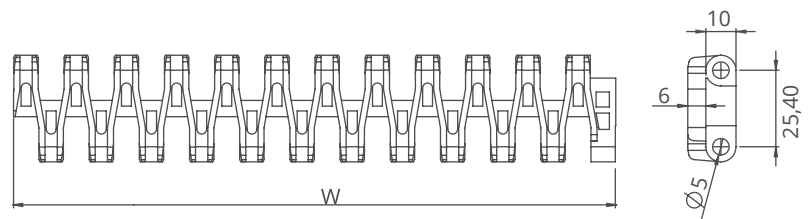
## MD254 RR / Technical Information

BELT MATERIAL	BELT STRENGTH				TEMPERATURE		BELT WEIGHT
	Straight		Curve		°C / °F (min.)	°C / °F (max.)	Kg/m <sup>2</sup> / lb/ft <sup>2</sup>
	N/m	lb/ft	N/m	lb/ft			
Polypropylene	17600	<b>1206</b>	-	-	+5 / <b>+41</b>	+90 / <b>+194</b>	6,8 / <b>1.40</b>
PPHomopolymer	17600	<b>1206</b>	-	-	+5 / <b>+41</b>	+118 / <b>+245</b>	6,8 / <b>1.40</b>
Acetal	29700	<b>2035</b>	-	-	-43 / <b>-45.4</b>	+110 / <b>+230</b>	10,4 / <b>2.13</b>

- Belt strength and temperature values are maximum on the table.

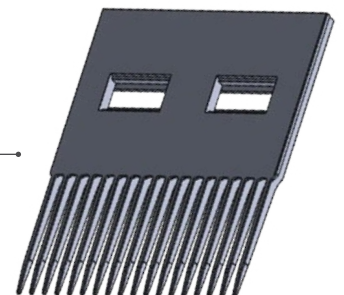
## MD254 RR / Standard Belt Widths

BELT SERIES	WIDTH (W)				Belt With Tolerance (max.)
	PP-PPH		POM		
	mm	inch	mm	inch	
MD254 RR	200,0	<b>7.87</b>	200,0	<b>7.87</b>	± 1 mm
MD254 RR	250,0	<b>9.84</b>	250,0	<b>9.84</b>	± 1 mm
MD254 RR	300,0	<b>11.81</b>	300,0	<b>11.81</b>	± 2 mm
MD254 RR	350,0	<b>13.77</b>	350,0	<b>13.77</b>	± 2 mm
MD254 RR	400,0	<b>15.75</b>	400,0	<b>15.75</b>	± 2 mm
MD254 RR	450,0	<b>17.71</b>	450,0	<b>17.71</b>	± 2 mm
MD254 RR	500,0	<b>19.69</b>	500,0	<b>19.69</b>	± 2 mm
MD254 RR	550,0	<b>21.65</b>	550,0	<b>21.65</b>	± 3 mm
MD254 RR	600,0	<b>23.62</b>	600,0	<b>23.62</b>	± 3 mm
MD254 RR	650,0	<b>25.60</b>	650,0	<b>25.60</b>	± 3 mm
MD254 RR	700,0	<b>27.56</b>	700,0	<b>27.56</b>	± 3 mm
MD254 RR	750,0	<b>29.50</b>	750,0	<b>29.50</b>	± 3 mm
MD254 RR	800,0	<b>31.50</b>	800,0	<b>31.50</b>	± 3 mm
MD254 RR	850,0	<b>33.46</b>	850,0	<b>33.46</b>	± 4 mm
MD254 RR	900,0	<b>35.43</b>	900,0	<b>35.43</b>	± 4 mm



### MD254 RR Comb / Finger Plate is available

This product is used for transferring of cans, bottles, etc.



- Standard belt increments 50 mm.
- Non-standard belt increments 16,6 mm.
- Please contact with customer service for precise belt measurements.

www.modutech.com.tr

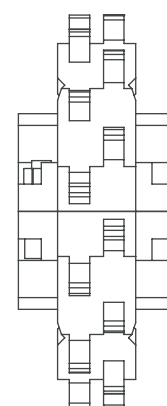
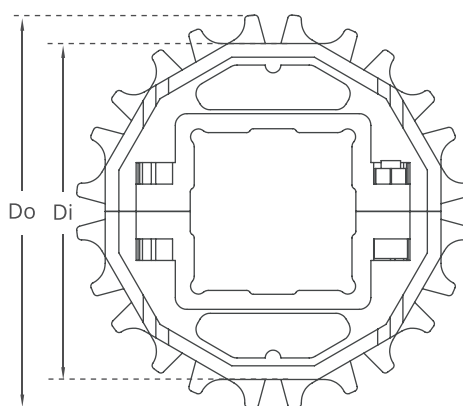
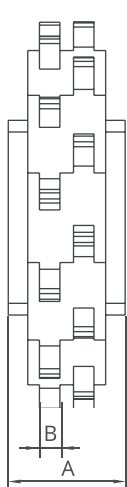
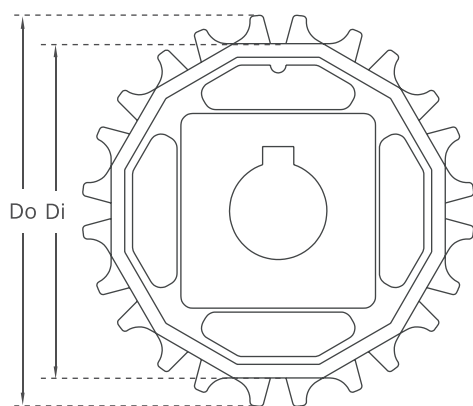
# MD254 Series Sprockets and Technical Specifications



Z15



Z8



Split moulded sprockets are available.

## MD254 Series / Standard Sprockets Dimensions

NO. TEETH	Di mm/inch	Do mm/inch	B mm/inch	A mm/inch	Square Bore (Q) mm/inch	Round Bore (R) mm/inch	PRODUCT CODE	
							Square Type (Q)	Round Type (R)
Z8	52,0 / <b>2.05</b>	67,0 / <b>2.64</b>	6 / <b>0.24</b>	30 / <b>1.18</b>	25 / <b>1</b>	25 / <b>1</b>	MD-TR254SQ25Z8*POM	MD-TR254SRZ8*POM
Z10	69,0 / <b>2.72</b>	84,0 / <b>3.31</b>	6 / <b>0.24</b>	30 / <b>1.18</b>	40 / <b>1.5</b>	25-30 / <b>1-1.25</b>	MD-TR254SQZ10*POM	MD-TR254SRZ10*POM
Z12	85,8 / <b>3.38</b>	100,8 / <b>3.97</b>	6 / <b>0.24</b>	30 / <b>1.18</b>	40 / <b>1.5</b>	25-30 / <b>1-1.25</b>	MD-TR254SQZ12*POM	MD-TR254SRZ12*POM
Z15	110,8 / <b>4.36</b>	125,8 / <b>4.95</b>	6 / <b>0.24</b>	30 / <b>1.18</b>	40 / <b>1.5</b>	25-30 / <b>1-1.25</b>	MD-TR254SQZ15*POM	MD-TR254SRZ15*POM
Z16	119,1 / <b>4.69</b>	134,1 / <b>5.28</b>	6 / <b>0.24</b>	30 / <b>1.18</b>	40 / <b>1.5</b>	25-30 / <b>1-1.25</b>	MD-TR254SQZ16*POM	MD-TR254SRZ16*POM
Z18	135,6 / <b>5.34</b>	150,6 / <b>5.93</b>	6 / <b>0.24</b>	30 / <b>1.18</b>	40 / <b>1.5</b>	25-30 / <b>1-1.25</b>	MD-TR254SQZ18*POM	MD-TR254SRZ18*POM
Z20	150,7 / <b>5.93</b>	167,3 / <b>6.59</b>	6 / <b>0.24</b>	30 / <b>1.18</b>	40 / <b>1.5</b>	25-30 / <b>1-1.25</b>	MD-TR254SQZ20*POM	MD-TR254SRZ20*POM

\*Other sprockets and hub sizes are manufactured up to request. \*PA (Polyamide) and PP (Polypropylene) sprockets raw material is available on request.

**\*Machined Split Sprockets are available for each size.**



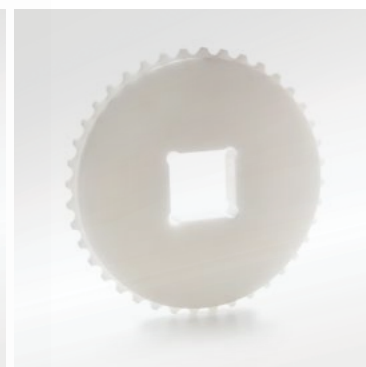
Clamp



Machined Split Sprocket



Moulded Sprocket



Machined Sprocket



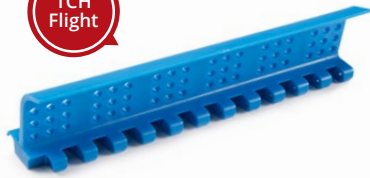
MODUTECH

# MD254 Series Accessories and Technical Specifications

No-Cling  
TNC  
Flight



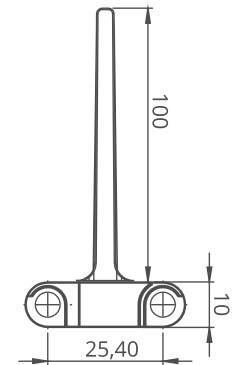
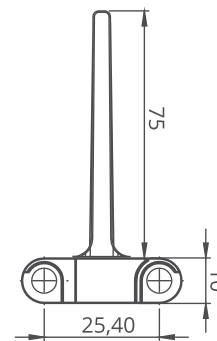
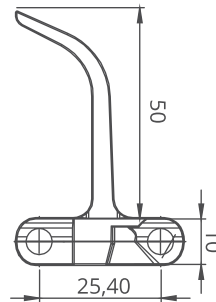
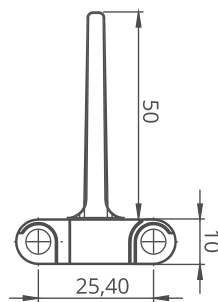
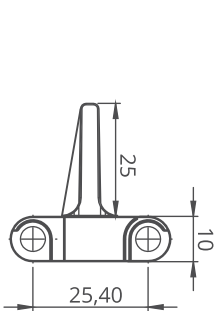
TCH  
Flight



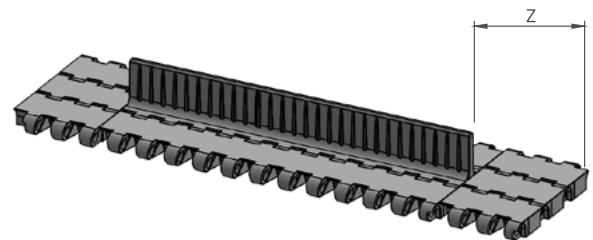
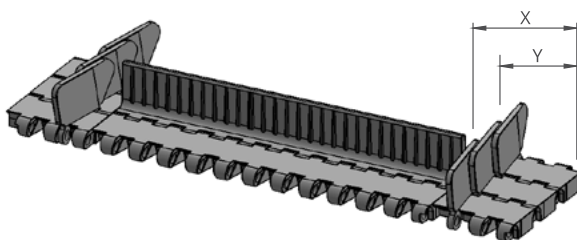
## MD254 Series / Flight & Sidewall Dimensions

### MD254 Series / Flights & Sidewalls

PRODUCT CODE	Flight Height (mm/ <i>inch</i> )	Flight Width (mm/ <i>inch</i> )	PRODUCT CODE	Sidewall Height (mm/ <i>inch</i> )
MD254T25	25 / <b>1</b>	200 / <b>7.87</b>	MD254SW25	25 / <b>1</b>
MD254T50	50 / <b>2</b>	200 / <b>7.87</b>	MD254SW50	50 / <b>2</b>
MD254T75	75 / <b>3</b>	200 / <b>7.87</b>	MD254SW75	75 / <b>3</b>
MD254T100	100 / <b>4</b>	200 / <b>7.87</b>	MD254SW100	100 / <b>4</b>
MD254TC50	50 / <b>2</b>	200 / <b>7.87</b>	-	-
MD254TCH50	50 / <b>2</b>	200 / <b>7.87</b>	-	-
MD254TNC75	75 / <b>3</b>	200 / <b>7.87</b>	-	-
MD254TNC100	100 / <b>4</b>	200 / <b>7.87</b>	-	-



\* Additional flight dimensions are available up to 100 mm.



## MD254 Series / Sidewall Technical Specifications

Possible Sidewall and Flight Indents	X		Y	
	mm	<i>inch</i>	mm	<i>inch</i>
Standard, no module cutting	33,5	<b>1.32</b>	14,9	<b>0.59</b>
Non-Standard	41,9	<b>1.65</b>	23,3	<b>0.92</b>
Standard, no module cutting	50,0	<b>1.97</b>	31,6	<b>1.24</b>
Non-Standard	58,6	<b>2.31</b>	39,9	<b>1.57</b>
Standard, module cutting necessary	66,9	<b>2.63</b>	48,5	<b>1.91</b>
Non-Standard	75,2	<b>2.96</b>	56,8	<b>2.24</b>

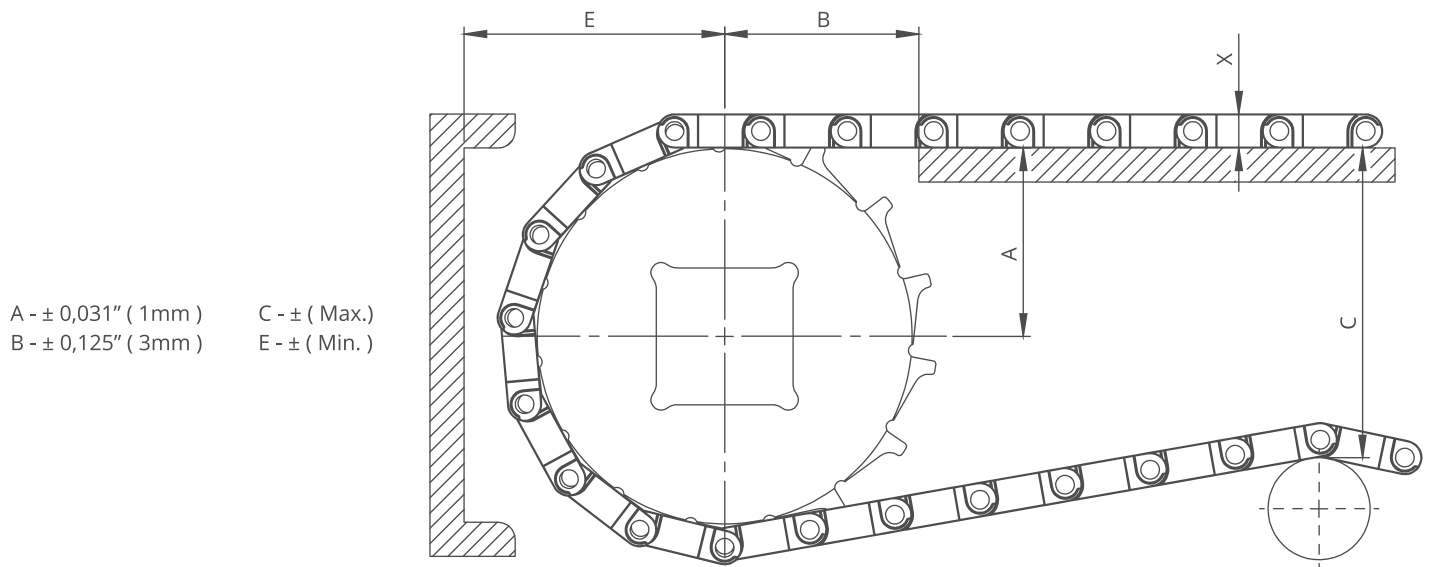
## MD254 Series / Flight Technical Specifications

Possible Flight Indents for MD254 Series	Z	
	mm	<i>inch</i>
Standard, no module cutting	33,5	<b>1.32</b>
Standard, no module cutting	50,0	<b>1.97</b>
Standard, module cutting	83,5	<b>3.29</b>
Standard, no module cutting	100,0	<b>3.94</b>

\*Non-standard flight indent is on request.

Note: Gap between flight and sidewall minimum 2-3 mm

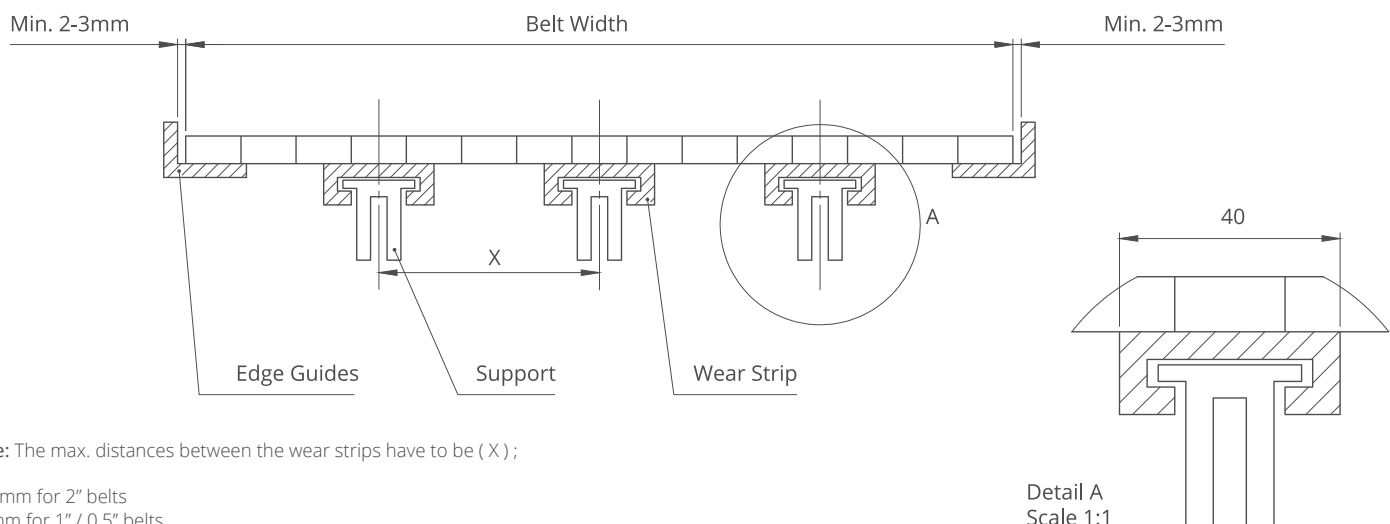
# MD254 Series *Engineering Information*



## MD254 Series / Conveyor Frame Dimensions

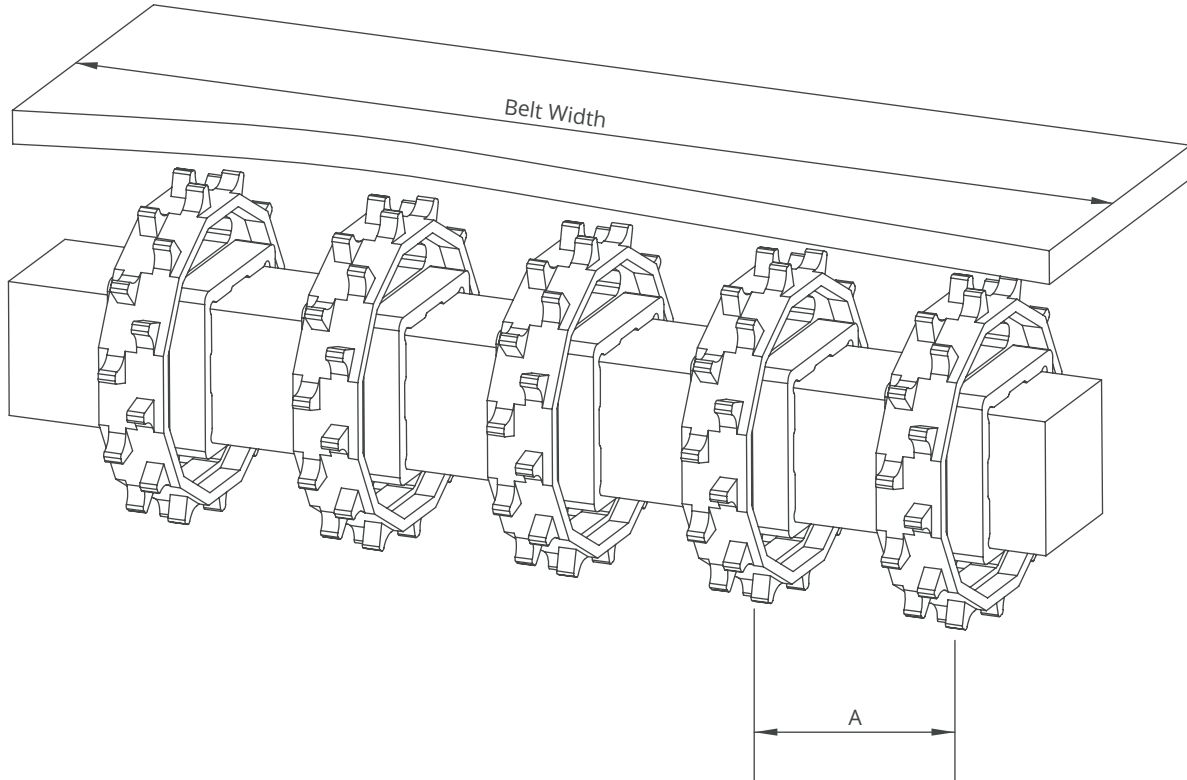
Sprockets Description			A		B		C		E		X	
Pitch Diameter		No.Teeth	Range (Bottom to Top)		inch	mm	inch	mm	inch	mm	inch	mm
inch	mm		inch	mm								
<b>MD254 FG, MD254 C</b>												
<b>2.38</b>	60,5	8	<b>1.15</b>	29,2	<b>1.55</b>	39,4	<b>1.95</b>	49,5	<b>1.94</b>	49,2	<b>0.39</b>	10,0
<b>3.07</b>	78,0	10	<b>1.46</b>	37,1	<b>1.77</b>	45,0	<b>2.60</b>	66,1	<b>2.25</b>	57,1	<b>0.39</b>	10,0
<b>3.74</b>	95,0	12	<b>1.76</b>	44,8	<b>1.97</b>	50,1	<b>3.24</b>	82,3	<b>2.55</b>	64,8	<b>0.39</b>	10,0
<b>4.70</b>	119,5	15	<b>2.22</b>	56,4	<b>2.23</b>	56,7	<b>4.18</b>	106,1	<b>3.01</b>	76,4	<b>0.39</b>	10,0
<b>5.02</b>	127,5	16	<b>2.37</b>	60,2	<b>2.38</b>	60,5	<b>4.46</b>	113,2	<b>3.21</b>	81,5	<b>0.39</b>	10,0
<b>5.71</b>	145,0	18	<b>2.73</b>	69,3	<b>2.45</b>	62,3	<b>5.19</b>	131,8	<b>3.51</b>	89,3	<b>0.39</b>	10,0
<b>MD254 RR, MD254 GT</b>												
<b>2.38</b>	60,5	8	<b>1.15</b>	29,2	<b>1.55</b>	39,4	<b>1.95</b>	49,5	<b>2.18</b>	55,4	<b>0.64</b>	16,3
<b>3.07</b>	78,0	10	<b>1.46</b>	37,1	<b>1.77</b>	45,0	<b>2.60</b>	66,1	<b>2.48</b>	63,1	<b>0.64</b>	16,3
<b>3.74</b>	95,0	12	<b>1.76</b>	44,8	<b>1.97</b>	50,1	<b>3.24</b>	82,3	<b>2.79</b>	70,9	<b>0.64</b>	16,3
<b>4.70</b>	119,5	15	<b>2.22</b>	56,4	<b>2.23</b>	56,7	<b>4.18</b>	106,1	<b>3.25</b>	82,7	<b>0.64</b>	16,3
<b>5.02</b>	127,5	16	<b>2.37</b>	60,2	<b>2.38</b>	60,5	<b>4.46</b>	113,2	<b>3.46</b>	87,8	<b>0.64</b>	16,3
<b>5.71</b>	145,0	18	<b>2.73</b>	69,3	<b>2.45</b>	62,3	<b>5.19</b>	131,8	<b>3.76</b>	95,5	<b>0.64</b>	16,3

## MD254 Series / Slider Support System For Straight Running Belts



Note: The max. distances between the wear strips have to be ( X );

125 mm for 2" belts  
 80 mm for 1" / 0.5" belts



## MD254 Series / Sprockets Arrangement

Standard Belt Width		Number of sprockets per shaft		A (mm/inch)	
mm	inch	Drive Shaft	Return Shaft	Min.	Max.
150,0	<b>6.0</b>	2	2	50/2	120/4.7
200,0	<b>8.0</b>	2	2	50/2	120/4.7
250,0	<b>10.0</b>	3	2	50/2	120/4.7
300,0	<b>12.0</b>	3	2	50/2	120/4.7
350,0	<b>14.0</b>	3	3	50/2	120/4.7
400,0	<b>16.0</b>	4	3	50/2	120/4.7
450,0	<b>18.0</b>	4	3	50/2	120/4.7
500,0	<b>20.0</b>	5	4	50/2	120/4.7
550,0	<b>22.0</b>	5	4	50/2	120/4.7
600,0	<b>24.0</b>	6	5	50/2	120/4.7
700,0	<b>26.0</b>	7	5	50/2	120/4.7
800,0	<b>28.0</b>	8	6	50/2	120/4.7
900,0	<b>30.0</b>	9	7	50/2	120/4.7
1000,0	<b>32.0</b>	10	7	50/2	120/4.7

Note: Number of sprockets depends on the belt load.