



HP508 FG

Modular Belt Series

- **Snack Foods Applications**

Cooling Line

- **Fruits and Vegetables Applications**

Palletizing - Epalletizing, Sterilization Conveyance

- **Automotive Applications**

Battery Filling

- **Tire Manufacturing Applications**

Dip Tank

- **Packaging Applications**

Accumulation, Palletizing - Depalletizing

- **Textile Applications**

Dyeing

- **Beverages and Bottling Applications**

Glass Palletizing - Depalletizing, Pasteurizers - Warmers, Accumulation Tables

- **Can Manufacturing Applications**

Accumulation Tables, Palletizing / Depalletizing



MODUTECH

HP508 FG (Battery Belt)

Pitch:	50,8 mm / 2 inch
Belt Surface:	Open, Smooth Surface
Minimum Width:	152,4 mm / 6 inch
Open Area (%):	36%. (Biggest opening 3,5 x 18,5 mm)
Flight:	No
Sidewall:	No
Rod:	Ø7 mm / 0.276 inch - Self Lock
Approved:	FDA and EU
Curve:	No
Color:	Additional colors available
Cleanability:	Good
Belt Thickness:	16 mm / 0.630 inch



Product Features and Functional Benefits

- Belt provides optimal open area for drainage and airflow.
- Unique sprocket engagement reduces pulsation and increases load capacity.
- High power, bi-directional belt for long conveyors.
- Unique sprocket engagement - higher product load and longer conveyors.
- Strong and thick product supports allow more load without breaking.
- Impact resistance to with stand heavy objects falling on the belt.

Available Moulded Module Sizes

- 152,4 mm / **6 inch** module
- 76,2 mm / **3 inch** module

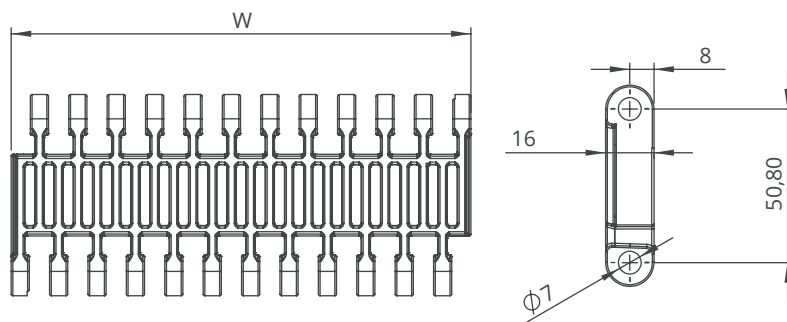
HP508 FG / Technical Information

BELT MATERIAL	BELT STRENGTH				TEMPERATURE		BELT WEIGHT
	Straight		Curve		°C (min.) - °F (min.)	°C (max.) - °F (max.)	Kg/m ² - lb/ft ²
	N/m	lb/ft	N/m	lb/ft			
Polypropylene	34200	2343	-	-	+5 / +42.8	+90 / +194	8,9 - 1.82
Polyethylene	-	-	-	-	-	-	-
Acetal	-	-	-	-	-	-	-

- Belt strength and temperature values are maximum on the table.

HP508 FG / Standard Belt Widths

BELT SERIES	WIDTH (W)				Belt With Tolerance (max.)
	PP		POM		
	mm	inch	mm	inch	
HP508 FG	152,4	6.0	-	-	± 0,5 mm
HP508 FG	228,6	9.0	-	-	± 2 mm
HP508 FG	304,8	12.0	-	-	± 2 mm
HP508 FG	381,0	15.0	-	-	± 2 mm
HP508 FG	457,2	18.0	-	-	± 3 mm
HP508 FG	533,4	21.0	-	-	± 3 mm
HP508 FG	609,6	24.0	-	-	± 3 mm
HP508 FG	685,8	27.0	-	-	± 3 mm
HP508 FG	762,0	30.0	-	-	± 4 mm
HP508 FG	838,2	33.0	-	-	± 4 mm
HP508 FG	914,4	36.0	-	-	± 4 mm
HP508 FG	990,6	39.0	-	-	± 5 mm
HP508 FG	1066,8	42.0	-	-	± 5 mm
HP508 FG	1143,0	45.0	-	-	± 5 mm

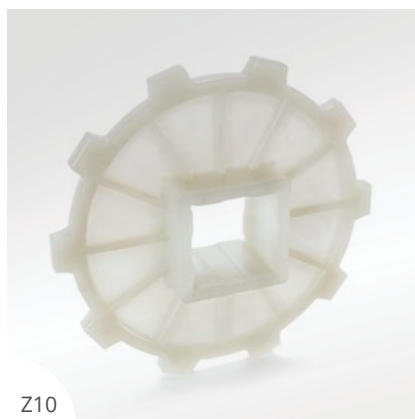


- Standard belt increments 76,2 mm.
- Non-standart belt increments 38,1 mm.
- Please contact with customer service for precise belt measurements.

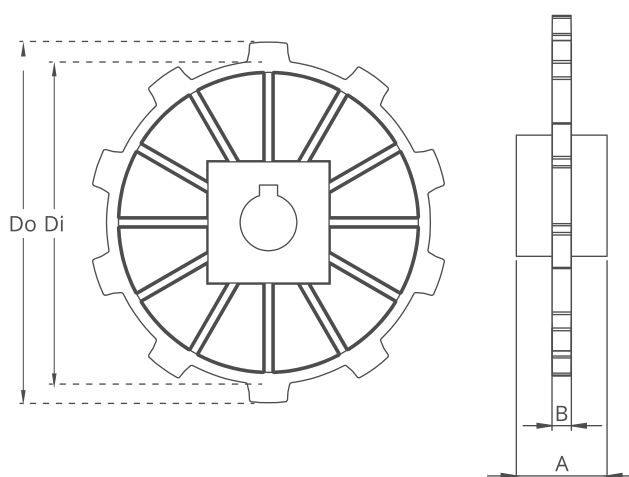
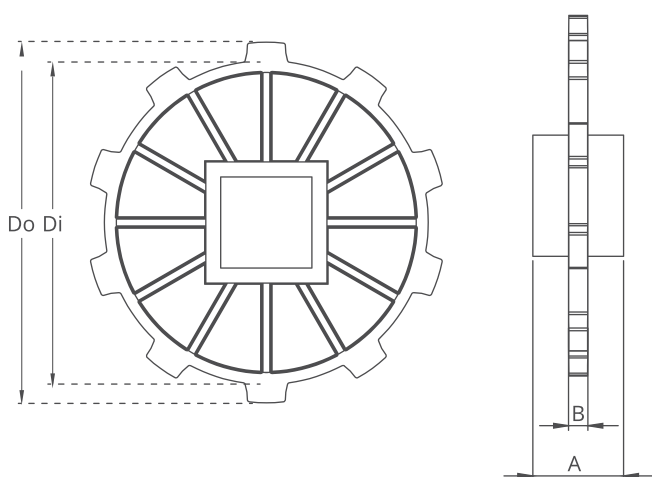
HP508 Series Sprockets and Technical Specifications



Z8



Z10



HP508 Series / Standard Sprockets Dimensions

NO. TEETH	Di mm/inch	Do mm/inch	B mm/inch	A mm/inch	Square Bore (Q) mm/inch	Round Bore (R) mm/inch	PRODUCT CODE	
							Square Type (Q)	Round Type (R)
Z8	109,0 / 4.29	125,0 / 4.92	9,0 / 0.35	40 / 1.57	40 / 1.5	25-30 / 1-1.25	HP508SQZ8*PA	HP508SRZ8*PA
Z10	142,0 / 5.59	159,0 / 6.22	9,0 / 0.35	40 / 1.57	40 / 1.5	25-30 / 1-1.25	HP508SQZ10*PA	HP508SRZ10*PA

*Other sprockets and hub sizes are manufactured up to request.

*POM (Acetal) and PP (Polypropylene) sprockets raw material is available on request.

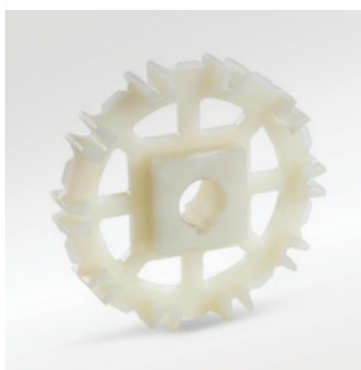
***Machined Split Sprockets are available for each size.**



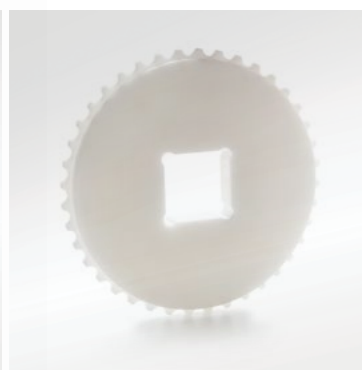
Clamp



Machined Split Sprocket

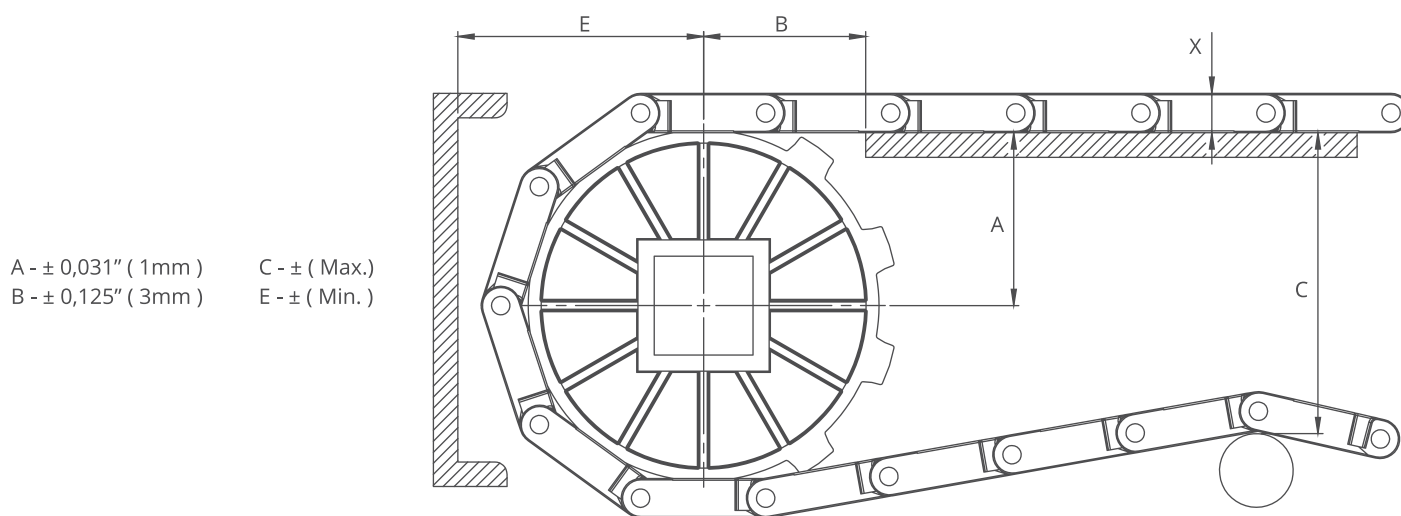


Moulded Sprocket



Machined Sprocket

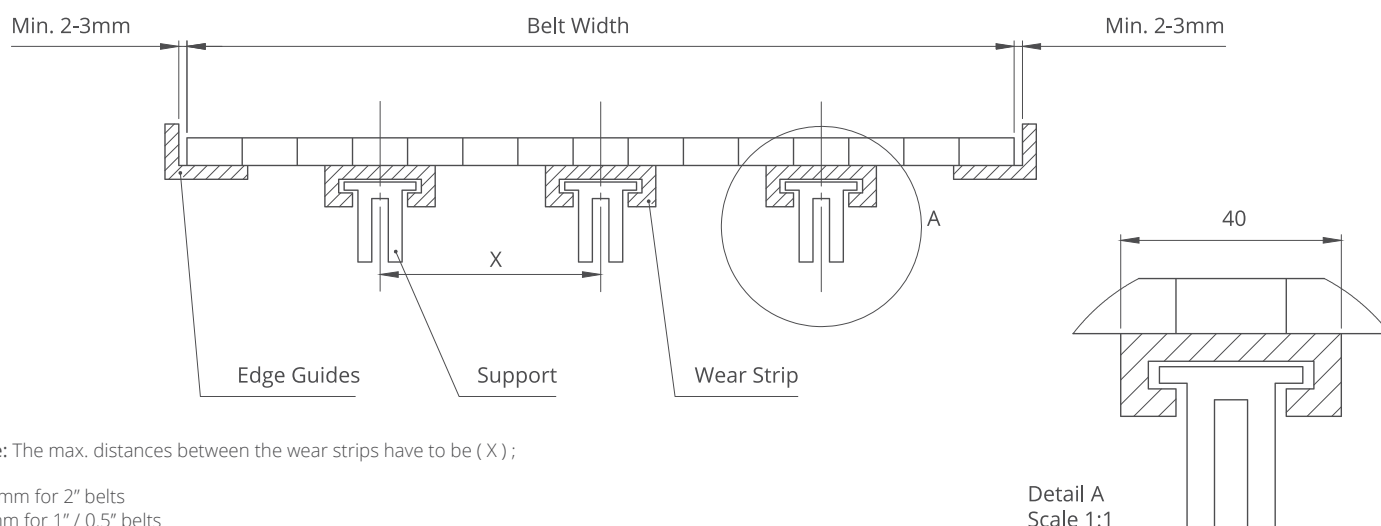
HP508 Series *Engineering Information*



HP508 Series / Conveyor Frame Dimensions

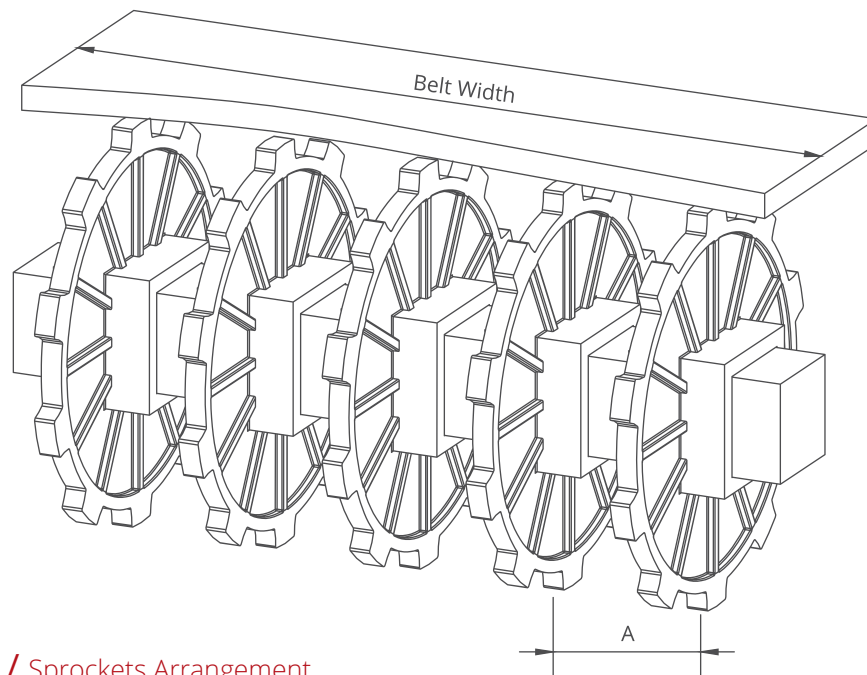
Sprockets Description			A		B		C		E		X	
Pitch Diameter		No.Teeth	Range (Bottom to Top)		inch	mm	inch	mm	inch	mm	inch	mm
inch	mm		inch	mm								
HP508 C, HP508 FG												
4.57	116,0	8	2.29	58,25	2.28	58,0	3.46	88,0	3.32	84,25	0.63	16,0
5.98	152,0	10	2.93	74,5	2.60	66,0	4.80	122,0	3.96	100,5	0.63	16,0
HP508 RR												
4.57	116,0	8	2.29	58,25	2.28	58,0	3.78	96,0	3.63	92,25	0.94	24,0
5.98	152,0	10	2.93	74,5	2.60	66,0	5.12	130,0	4.27	108,5	0.94	24,0

HP508 Series / Slider Support System For Straight Running Belts



Note: The max. distances between the wear strips have to be (X) ;

125 mm for 2" belts
80 mm for 1" / 0.5" belts



HP508 Series / Sprockets Arrangement

Standard Belt Width		Number of sprockets per shaft		A (mm/inch)	
mm	inch	Drive Shaft	Return Shaft	Min.	Max.
152,4	6.0	2	2	60/2.36	150/5.9
228,6	9.0	2	2	60/2.36	150/5.9
304,8	12.0	3	2	60/2.36	150/5.9
381,0	15.0	3	3	60/2.36	150/5.9
457,2	18.0	3	3	60/2.36	150/5.9
533,4	21.0	4	3	60/2.36	150/5.9
609,6	24.0	4	3	60/2.36	150/5.9
685,8	27.0	5	3	60/2.36	150/5.9
762,0	30.0	5	4	60/2.36	150/5.9
838,2	33.0	6	4	60/2.36	150/5.9
914,4	36.0	6	4	60/2.36	150/5.9
990,6	39.0	6	4	60/2.36	150/5.9
1066,8	42.0	7	5	60/2.36	150/5.9
1143,0	45.0	7	5	60/2.36	150/5.9
1219,2	48.0	8	6	60/2.36	150/5.9
1295,4	51.0	8	6	60/2.36	150/5.9
1371,6	54.0	9	6	60/2.36	150/5.9
1447,8	57.0	9	7	60/2.36	150/5.9
1524,0	60.0	9	7	60/2.36	150/5.9
1600,2	63.0	10	7	60/2.36	150/5.9
1676,4	66.0	10	8	60/2.36	150/5.9
1752,6	69.0	11	8	60/2.36	150/5.9
1828,8	72.0	12	9	60/2.36	150/5.9
1905,0	75.0	12	9	60/2.36	150/5.9
1981,2	78.0	12	9	60/2.36	150/5.9
2057,4	81.0	13	10	60/2.36	150/5.9
2133,6	84.0	14	10	60/2.36	150/5.9
2209,8	87.0	14	10	60/2.36	150/5.9
2286,0	90.0	15	11	60/2.36	150/5.9
2514,6	99.0	15	11	60/2.36	150/5.9
2743,2	108.0	16	12	60/2.36	150/5.9
2971,8	117.0	17	13	60/2.36	150/5.9
3200,4	126.0	18	14	60/2.36	150/5.9
3429,0	135.0	19	15	60/2.36	150/5.9
3657,6	144.0	20	16	60/2.36	150/5.9
3810,0	150.0	21	17	60/2.36	150/5.9

Note: Number of sprockets depends on the belt load.