



# **SM127 FG**

## **Modular Belt Series**

### **• Bakery Applications**

*Divider, Oven Infeed-Outfeed, Cooling Lines, Coating-Glazing Lines, Freezing Lines, Metal Detector, Spiral Infeed-Outfeed, Conditioning Lines*

### **• Meat and Poultry Applications**

*Transfer - Crossover Conveyance, Shrink Wrapping and Metal Detectors, Freezing Lines*

### **• Seafood Applications**

*Control Table, Glazing and Metal Detector*

### **• Beverage Applications**

*Can, Glass and PET Palletizing-Depalletizing,*

### **• Fruits and Vegetables Applications**

*Sterilization Conveyance, Draining and Metal Detector*

### **• Can, Glass and PET Manufacturing Applications**

*Washer infeed, accumulation tables and palletizing-depalletizing*

### **• Printing and Paper Applications**

*Printing Machine Outfeed, Stacker Outfeed, Wrapping Machine Outfeed, Book Binding*

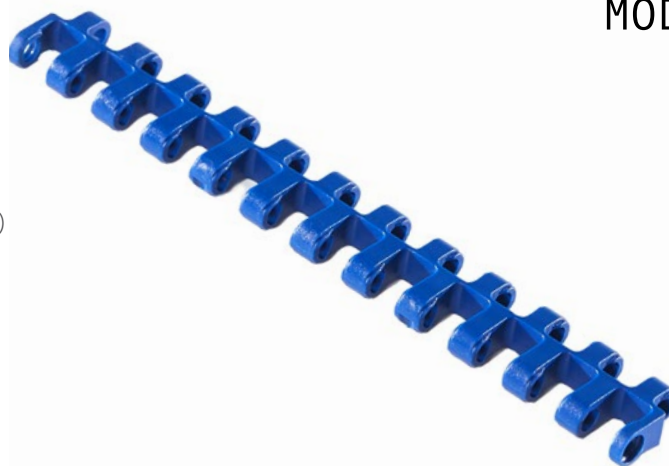
### **• Corrugated Applications**

*Down Stackers, Stock Handling-Buffer, Transfer Cart, Strap Feed, Casemaker Feeder*



MODUTECH

# SM127 FG



Pitch:	12,7 mm / <b>0.5 inch</b>
Belt Surface:	Open, Smooth Surface
Minimum Width:	152,4 mm / <b>6.00 inch</b>
Open Area (%):	22%. ( Biggest opening 3,6 x 8,1 mm )
Flight:	No
Sidewall:	No
Rod:	Ø4,4 mm / <b>0.173 inch</b> - Self Lock
Approved:	FDA and EU
Curve:	No
Color:	Additional colors available
Cleanability:	Excellent
Belt Thickness:	7,6 mm / <b>0.3 inch</b>

## Product Features and Functional Benefits

- Belt provides optimal open area for drainage and airflow.
- Less friction and product contact for easy cooking, cooling and freezing of products.
- Reduced dirt and oxide build due to self cleaning surface.

## Available Moulded Module Sizes

- 152,4 mm / **6.00 inch** module

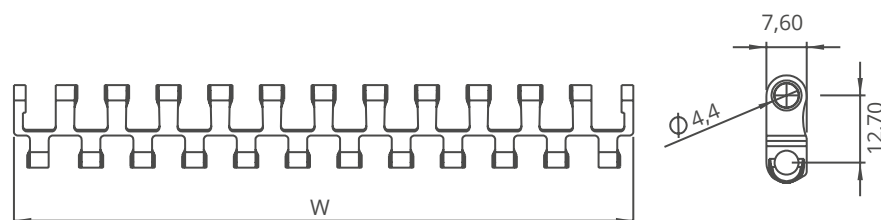
## SM127 FG / Technical Information

BELT MATERIAL	BELT STRENGTH				TEMPERATURE		BELT WEIGHT Kg/m <sup>2</sup> / lb/ft <sup>2</sup>
	Straight		Curve		°C / °F (min.)	°C/°F (max.)	
	N/m	lb/ft	N/m	lb/ft			
Polypropylene	12845	<b>880</b>	-	-	+5 / <b>+41</b>	+90 / <b>+194</b>	4,2 / <b>0.86</b>
Polyethylene	7705	<b>528</b>	-	-	-73 / <b>-99.4</b>	+66 / <b>+150.8</b>	4,4 / <b>0.91</b>
Acetal	22475	<b>1540</b>	-	-	-43 / <b>-45.4</b>	+110 / <b>+230</b>	6,1 / <b>1.25</b>

- Belt strength and temperature values are maximum on the table.

## SM127 FG / Standard Belt Widths

BELT SERIES	WIDTH (W)				Belt With Tolerance (max.)
	PP-PE		POM		
	mm	inch	mm	inch	
SM127 FG	152,4	<b>6.00</b>	152,4	<b>6.00</b>	± 1 mm
SM127 FG	228,6	<b>9.00</b>	228,6	<b>9.00</b>	± 1 mm
SM127 FG	304,8	<b>12.00</b>	304,8	<b>12.00</b>	± 2 mm
SM127 FG	381,0	<b>15.00</b>	381,0	<b>15.00</b>	± 2 mm
SM127 FG	457,2	<b>18.00</b>	457,2	<b>18.00</b>	± 2 mm
SM127 FG	533,4	<b>21.00</b>	533,4	<b>21.00</b>	± 2 mm
SM127 FG	609,6	<b>24.00</b>	609,6	<b>24.00</b>	± 2 mm
SM127 FG	685,8	<b>27.00</b>	685,8	<b>27.00</b>	± 2 mm
SM127 FG	762,0	<b>30.00</b>	762,0	<b>30.00</b>	± 2 mm
SM127 FG	838,2	<b>33.00</b>	838,2	<b>33.00</b>	± 3 mm
SM127 FG	914,4	<b>36.00</b>	914,4	<b>36.00</b>	± 3 mm
SM127 FG	990,6	<b>39.00</b>	990,6	<b>39.00</b>	± 3 mm
SM127 FG	1066,8	<b>32.00</b>	1066,8	<b>32.00</b>	± 3 mm
SM127 FG	1143,0	<b>45.00</b>	1143,0	<b>45.00</b>	± 3 mm
SM127 FG	1219,2	<b>48.00</b>	1219,2	<b>48.00</b>	± 4 mm
SM127 FG	1295,4	<b>51.00</b>	1295,4	<b>51.00</b>	± 4 mm

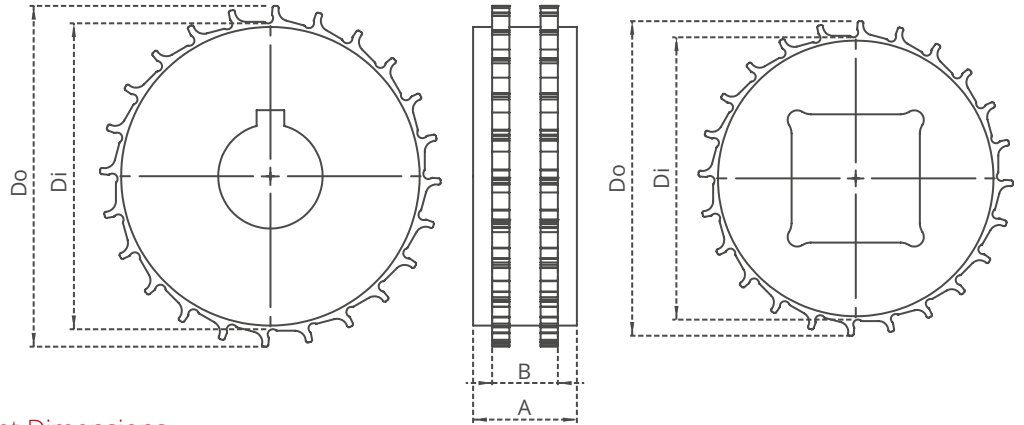


- Standard belt increments 76,2 mm.
- Non-standard belt increments 12,7 mm.
- Please contact with customer service for precise belt measurements.

# SM127 Series Sprockets and Technical Specifications



Z23



## SM127 Series / Machined Sprocket Dimensions

NO. TEETH	Di mm/inch	Do mm/inch	B mm/inch	A mm/inch	Square Bore (Q) mm/inch	Round Bore (R) mm/inch	PRODUCT CODE	
							Square Type (Q)	Round Type (R)
Z15	51,8 / <b>2.03</b>	61,9 / <b>2.44</b>	19 / <b>0.75</b>	30 / <b>1.18</b>	25 / <b>1</b>	25-30 / <b>1-1.25</b>	SM127SQZ15*POM	SM127SRZ15*POM
Z19	68,1 / <b>2.68</b>	78,2 / <b>3.08</b>	19 / <b>0.75</b>	30 / <b>1.18</b>	25-40 / <b>1-1.5</b>	25-30 / <b>1-1.25</b>	SM127SQZ19*POM	SM127SRZ19*POM
Z24	88,4 / <b>3.48</b>	98,5 / <b>3.88</b>	19 / <b>0.75</b>	30 / <b>1.18</b>	25-40 / <b>1-1.5</b>	25-30 / <b>1-1.25</b>	SM127SQZ24*POM	SM127SRZ24*POM
Z28	104,7 / <b>4.12</b>	114,7 / <b>4.52</b>	19 / <b>0.75</b>	30 / <b>1.18</b>	25-40 / <b>1-1.5</b>	25-30 / <b>1-1.25</b>	SM127SQZ28*POM	SM127SRZ28*POM
Z36	137,1 / <b>5.39</b>	147,1 / <b>5.79</b>	19 / <b>0.75</b>	30 / <b>1.18</b>	25-40 / <b>1-1.5</b>	25-30 / <b>1-1.25</b>	SM127SQZ36*POM	SM127SRZ36*POM

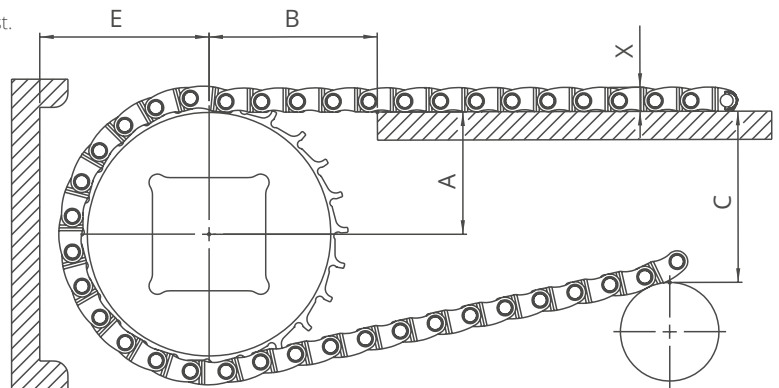
\*All required sprockets produced by CNC.

\*Other sprockets and hub sizes are manufactured up to request.

\*POM (Acetal) and PA (Polyamide) sprockets raw material is available on request.

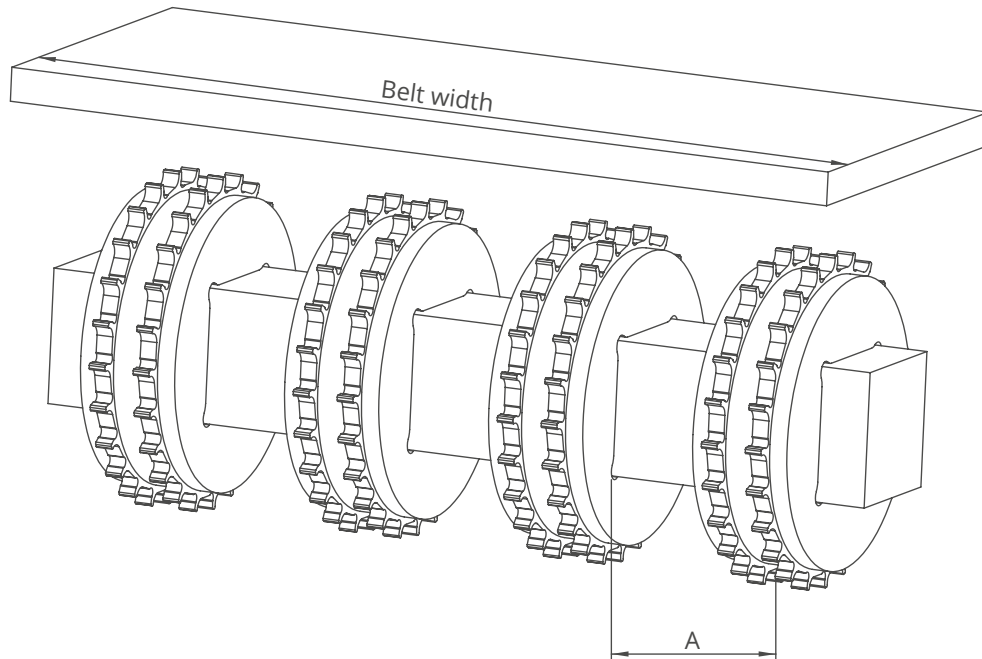
**\*Machined Split Sprockets are available for each size.**

A - ± 0,031" ( 1mm )      C - ± ( Max. )  
 B - ± 0,125" ( 3mm )      E - ± ( Min. )



## SM127 Series / Conveyor Frame Dimensions

Sprockets Description		A		B		C		E		X		
Pitch Diameter		Range (Bottom to Top)		inch	mm	inch	mm	inch	mm	inch	mm	
inch	mm	inch	mm									
<b>SM127 C, SM127 FG</b>												
<b>2.30</b>	58,3	15	<b>1.10</b> / 27,9	<b>1.19</b>	30,2	<b>1.89</b>	48,1	<b>1.49</b>	37,9	<b>0.30</b>	7,6	
<b>2.99</b>	75,9	19	<b>1.39</b> / 35,3	<b>1.54</b>	39,0	<b>2.58</b>	65,5	<b>1.84</b>	46,7	<b>0.30</b>	7,6	
<b>3.85</b>	97,8	24	<b>1.76</b> / 44,6	<b>1.96</b>	49,9	<b>3.41</b>	86,5	<b>2.27</b>	57,7	<b>0.30</b>	7,6	
<b>4.54</b>	115,4	28	<b>2.05</b> / 52,1	<b>2.31</b>	58,7	<b>4.06</b>	103,2	<b>2.62</b>	66,5	<b>0.30</b>	7,6	
<b>5.93</b>	150,5	36	<b>2.63</b> / 66,9	<b>3.00</b>	76,2	<b>5.48</b>	139,1	<b>3.31</b>	84,1	<b>0.30</b>	7,6	
<b>SM127 CRV</b>												
<b>2.30</b>	58,3	15	<b>1.10</b> / 27,9	<b>1.19</b>	30,2	<b>1.93</b>	49,1	<b>1.53</b>	38,9	<b>0.34</b>	8,6	
<b>2.99</b>	75,9	19	<b>1.39</b> / 35,3	<b>1.54</b>	39,0	<b>2.62</b>	66,5	<b>1.88</b>	47,7	<b>0.34</b>	8,6	
<b>3.85</b>	97,8	24	<b>1.76</b> / 44,6	<b>1.96</b>	49,9	<b>3.44</b>	87,5	<b>2.31</b>	58,7	<b>0.34</b>	8,6	
<b>4.54</b>	115,4	28	<b>2.05</b> / 52,1	<b>2.31</b>	58,7	<b>4.10</b>	104,2	<b>2.66</b>	67,5	<b>0.34</b>	8,6	
<b>5.93</b>	150,5	36	<b>2.63</b> / 66,9	<b>3.00</b>	76,2	<b>5.52</b>	140,1	<b>3.35</b>	85,1	<b>0.34</b>	8,6	



## SM127 Series / Sprockets Arrangement

Standard Belt Width		Number of sprockets per shaft		A (mm/inch)	
mm	inch	Drive Shaft	Return Shaft	Min.	Max.
152,4	<b>6.0</b>	2	2	60/ <b>2.36</b>	170/ <b>6.6</b>
228,6	<b>9.0</b>	2	2	60/ <b>2.36</b>	170/ <b>6.6</b>
304,8	<b>12.0</b>	3	2	60/ <b>2.36</b>	170/ <b>6.6</b>
381,0	<b>15.0</b>	4	3	60/ <b>2.36</b>	170/ <b>6.6</b>
457,2	<b>18.0</b>	5	3	60/ <b>2.36</b>	170/ <b>6.6</b>
533,4	<b>21.0</b>	5	3	60/ <b>2.36</b>	170/ <b>6.6</b>
609,6	<b>24.0</b>	6	3	60/ <b>2.36</b>	170/ <b>6.6</b>
685,8	<b>27.0</b>	6	4	60/ <b>2.36</b>	170/ <b>6.6</b>
762,0	<b>30.0</b>	7	4	60/ <b>2.36</b>	170/ <b>6.6</b>
838,2	<b>33.0</b>	7	4	60/ <b>2.36</b>	170/ <b>6.6</b>
914,4	<b>36.0</b>	8	4	60/ <b>2.36</b>	170/ <b>6.6</b>
990,6	<b>39.0</b>	8	5	60/ <b>2.36</b>	170/ <b>6.6</b>
1066,8	<b>42.0</b>	9	5	60/ <b>2.36</b>	170/ <b>6.6</b>
1143,0	<b>45.0</b>	9	5	60/ <b>2.36</b>	170/ <b>6.6</b>
1219,2	<b>48.0</b>	10	5	60/ <b>2.36</b>	170/ <b>6.6</b>
1295,4	<b>51.0</b>	10	6	60/ <b>2.36</b>	170/ <b>6.6</b>
1371,6	<b>54.0</b>	11	7	60/ <b>2.36</b>	170/ <b>6.6</b>
1447,8	<b>57.0</b>	11	7	60/ <b>2.36</b>	170/ <b>6.6</b>
1524,0	<b>60.0</b>	12	7	60/ <b>2.36</b>	170/ <b>6.6</b>
1600,2	<b>63.0</b>	12	8	60/ <b>2.36</b>	170/ <b>6.6</b>
1676,4	<b>66.0</b>	12	8	60/ <b>2.36</b>	170/ <b>6.6</b>
1752,6	<b>69.0</b>	13	8	60/ <b>2.36</b>	170/ <b>6.6</b>
1828,8	<b>72.0</b>	14	9	60/ <b>2.36</b>	170/ <b>6.6</b>
1905,0	<b>75.0</b>	14	9	60/ <b>2.36</b>	170/ <b>6.6</b>
1981,2	<b>78.0</b>	15	10	60/ <b>2.36</b>	170/ <b>6.6</b>
2057,4	<b>81.0</b>	15	10	60/ <b>2.36</b>	170/ <b>6.6</b>

Note: Number of sprockets depends on the belt load.